

CONTENTS

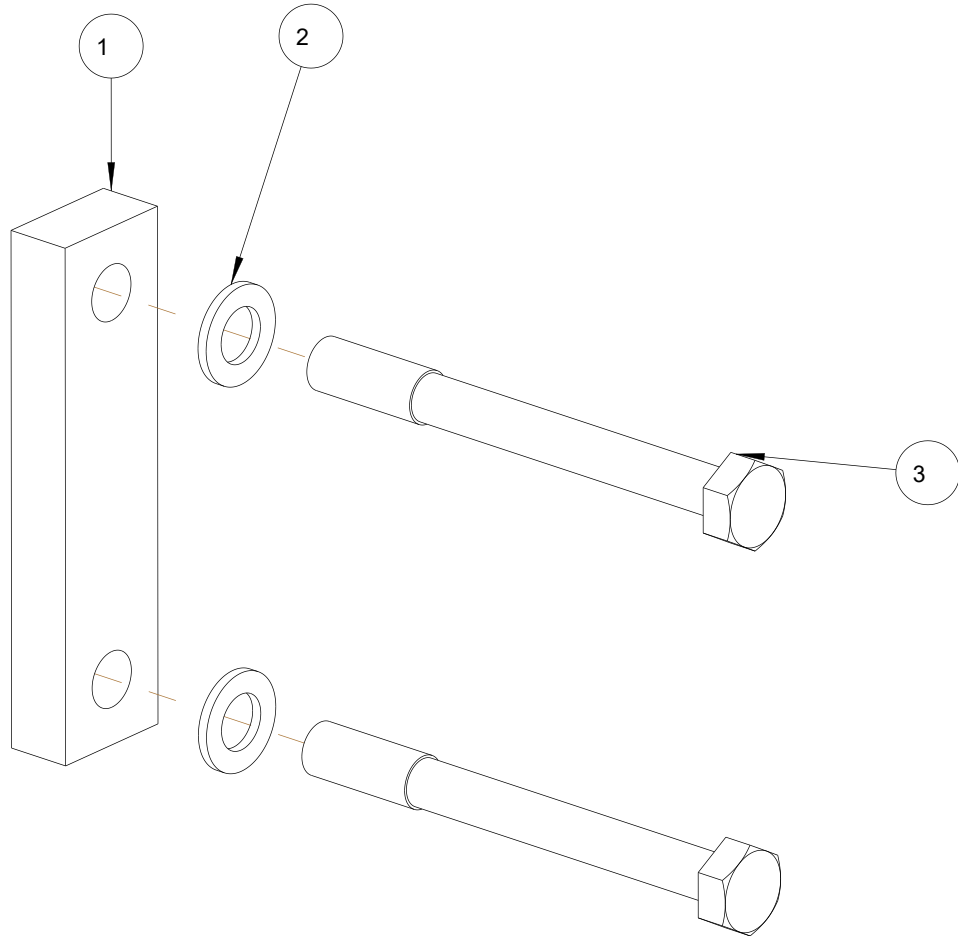
Title	Page No.
1. 100 TOOLBAR MOUNTING	1
2. PA ROW UNIT HEADSTOCK	2
3. PA TOP PARALLEL ARM	3
4. PA BOTTOM PARALLEL ARM	4
5. PA CHASSIS	5-6
6. PA FRONT WHEEL MZP W SCRAPER	7
7. PA REAR WHEEL MZP W SCRAPER	8
8. PA FRONT WHEEL 160SS W SCRAPER	9
9. PA REAR WHEEL MZP SCRAPER	10
10. PA REAR WHEEL 160SS W SCRAPER	11
11. BODY DRIVE SIDE ASSY	12
12. 785 – TURNTABLE ASSY	13
13. STAR HOP SIDE COMMON PARTS	14 - 15
14. 2L HOPPER	16
15. 1 LTR HOPPER CONV KIT	17
16. HOP EXTENSION – ASSY (1L)	18
17. HOP EXTENSION – ASSY (2L)	19
18. PA METERING UNIT	20
19. SEED SPLITTER OPTIONS	21
20. SINGULATOR OPTIONS	22
21. AGITATOR OPTIONS	23
22. GALLERY BLOCK OPTIONS	24
23. 65mm LOLINE SHALLOW FIN OPTIONS	25
24. 75mm LOLINE SHALLOW FIN OPTIONS	26
25. HYLINE DEEP FIN OPTIONS	27
26. HYLINE SHALLOW FIN OPTIONS	28

CONTENTS

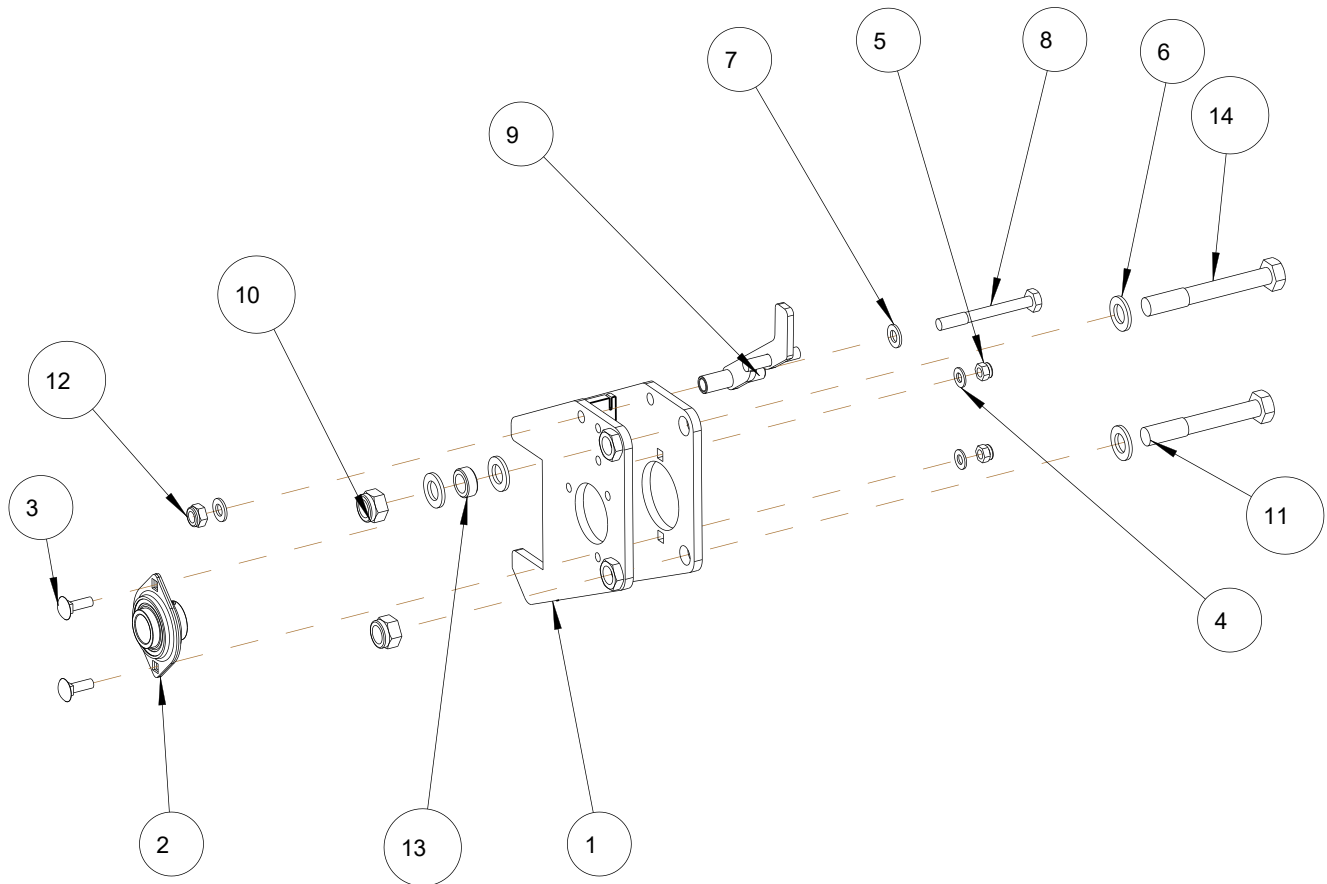
27. SINGLE LINE COULTER OPTIONS	29
28. SINGLE LINE HYLINE OPTIONS	30
29. SINGLE LINE LOLINE OPTIONS	31
30. THREE LINE HYLINE OPTIONS	32
31. THREE LINE LOLINE OPTIONS	33
32. TWO LINE HYLINE OPTIONS	34
33. TWO LINE LOLINE OPTIONS	35
34. PA DRAG COVERER	36
35. PA 3 LINE 75mm PRESS WHEEL	37-38
36. PA 75mm SINGLE PRESS WHEEL	39-40
37. PA 3 LINE 65mm PRESS WHEEL	41-42
38. PA FLEXIDRIVE 642mm 1:1	43
39. PA PARALLEL ARM SPRING	44
40. PA REAR WHEEL SPRING	45
41. PA STAGGERED ARM COVERERS	46
42. ADJ.L'WHEEL – C'DRIVE – STAR – 100	47
43. ADJ DRIVE LWHEEL 100TB	48-51
44. ADJUSTABLE SUPPORT LANDWHEEL 100	52
45. LOCKING COLLAR – ASSY	53
46. JOCKEY ASSY 2013	54
47. GEARBOX FRONT PLATE 0 100x100 – AS	55
48. JACK SCREW ASSY	56
49. TOP COVER ASSY	57
50. WHEEL BEARING HUB – R/H ASSY	58
51. WHEEL BEARING HUB – L/H ASSY	59
52. JACK SCREW SL – ASSY	60
53. MICROBAND DRIVE PARTS	61

CONTENTS

54. SEED VACUUM EMPTIER W/ MOUNT	62
55. PARKING STAND 100 TB	63
56. HEAVY DUTY PARKING STAND 100 TB	64
57. 100 TB REAR LIGHTING KIT	65
58. STACKER 26 RIB FAN ANGLED FAN CASE	66
59. 17 RIB FAN HEAVY DUTY	67
60. 17 RIB HYD DRIVE STACKER	68-69
70. PREVIOUS REVISIONS	70-

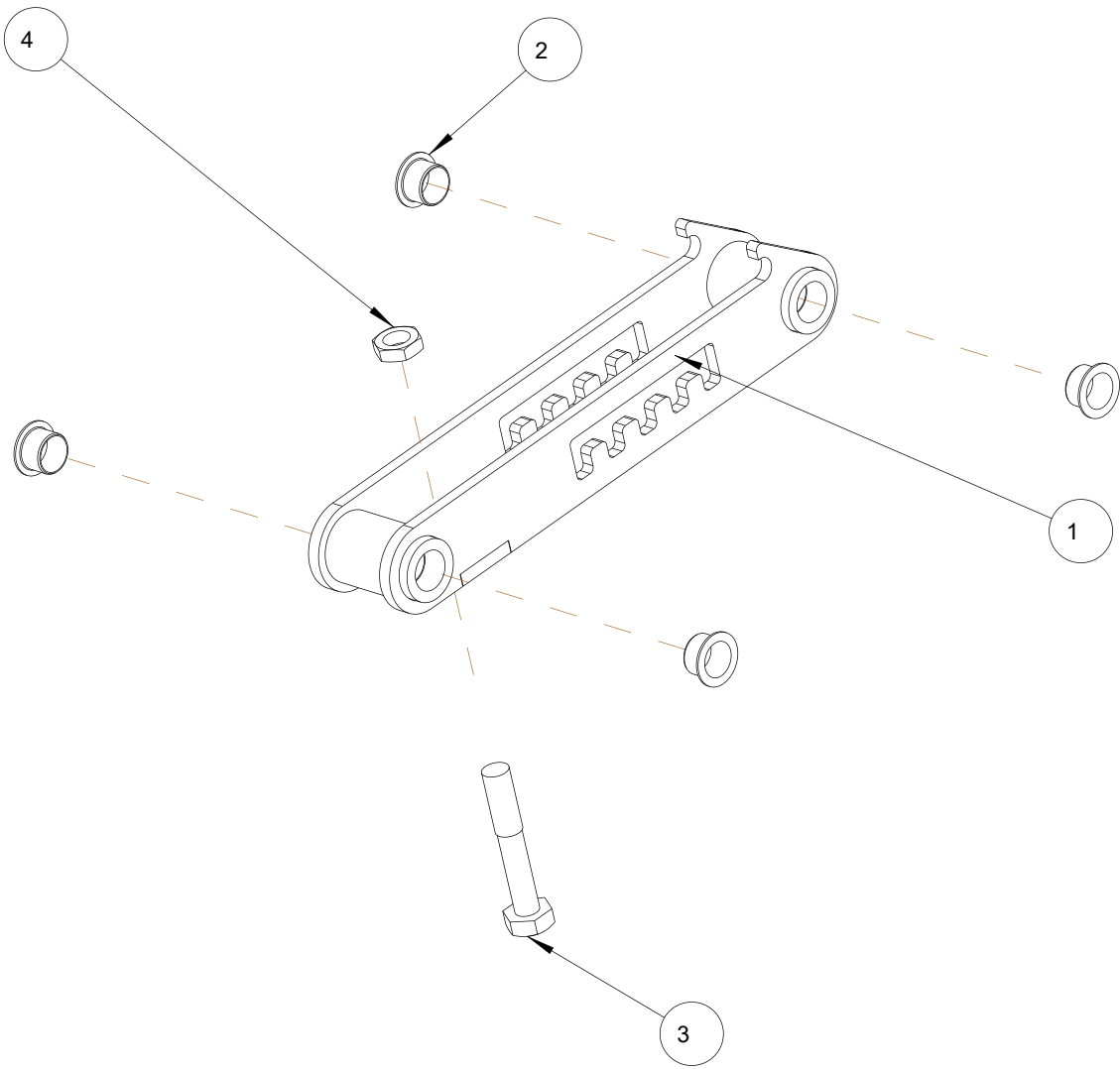


NUM	QTY	PART NUMBER	DESCRIPTION
1	1	SHW6903077	CLASP PLATE 100M16 40X20 2
2	2	SHW2311092	M16 FORM A
3	2	SHW2306141	BOLT M16 x 150

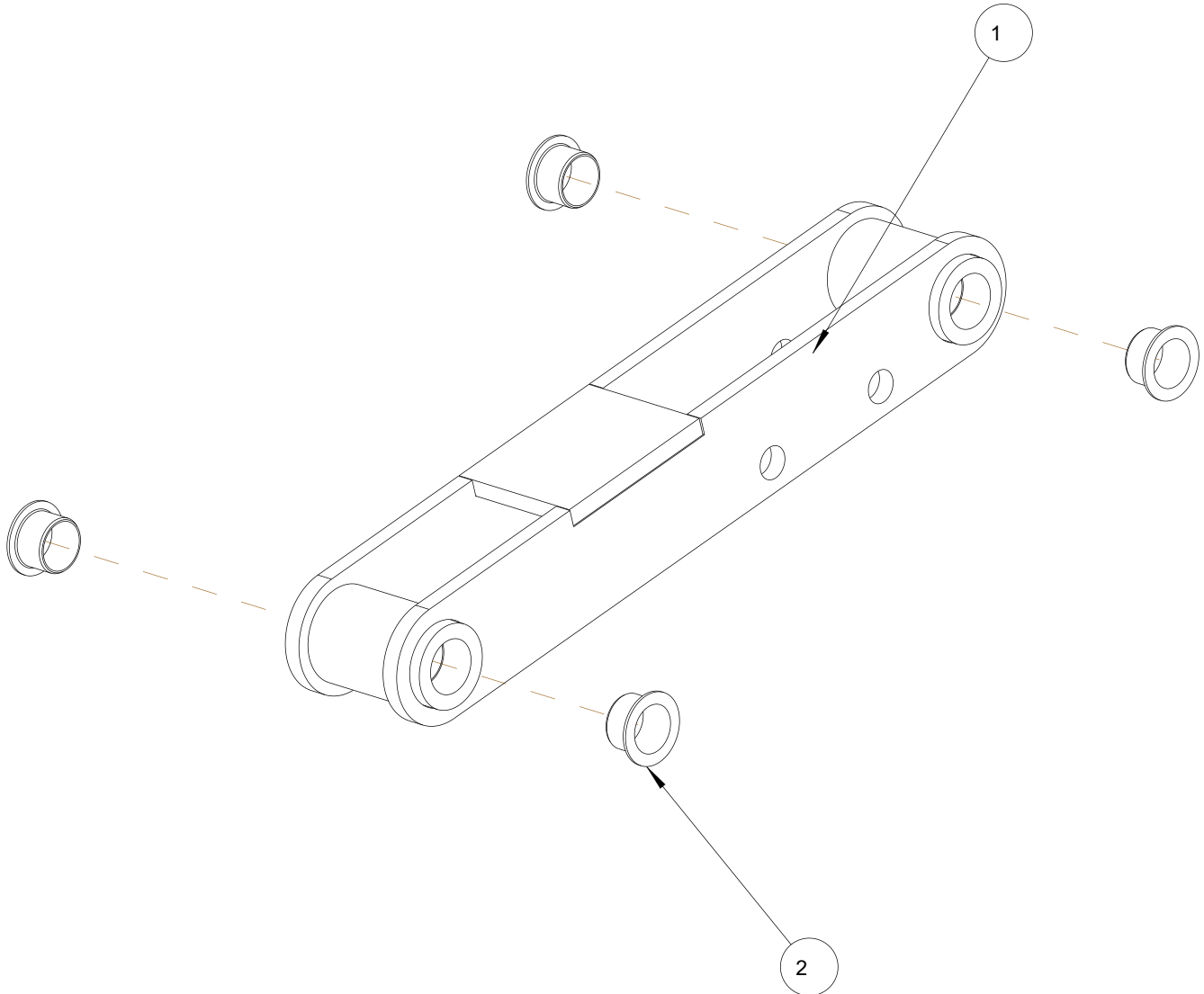


NUM	QTY	PART NUMBER	DESCRIPTION
1	1	S74-00013	PA HEADSTOCK, FLEXIDRIVE
2	1	SHW1905006	RHP BRG SLFL 25
3	2	SHW2306464	COACH M8 X 25
4	2	SHW2311089	M8 FORM A
5	2	SHW2303092	M8 NYLOC NUT
6	4	SHW2311092	M16 FORM A
7	2	SHW2311090	M10 FORM A
8	1	SHW2306075	BOLT M10 x 90
9	1	S72-00022	PA LATCH UP ARM W/A
10	2	SHW2303129	M16 PHILIDAS NUT
11	1	SHW2306137	Bolt M16 x 110
12	1	SHW2303109	M10 NYLOC THIN
13	1	S69-00042	BOSS PA LATCH UP SPACER
14	1	SHW2306138	BOLT M16 x 120

PA TOP PARALLEL ARM
S77-00019

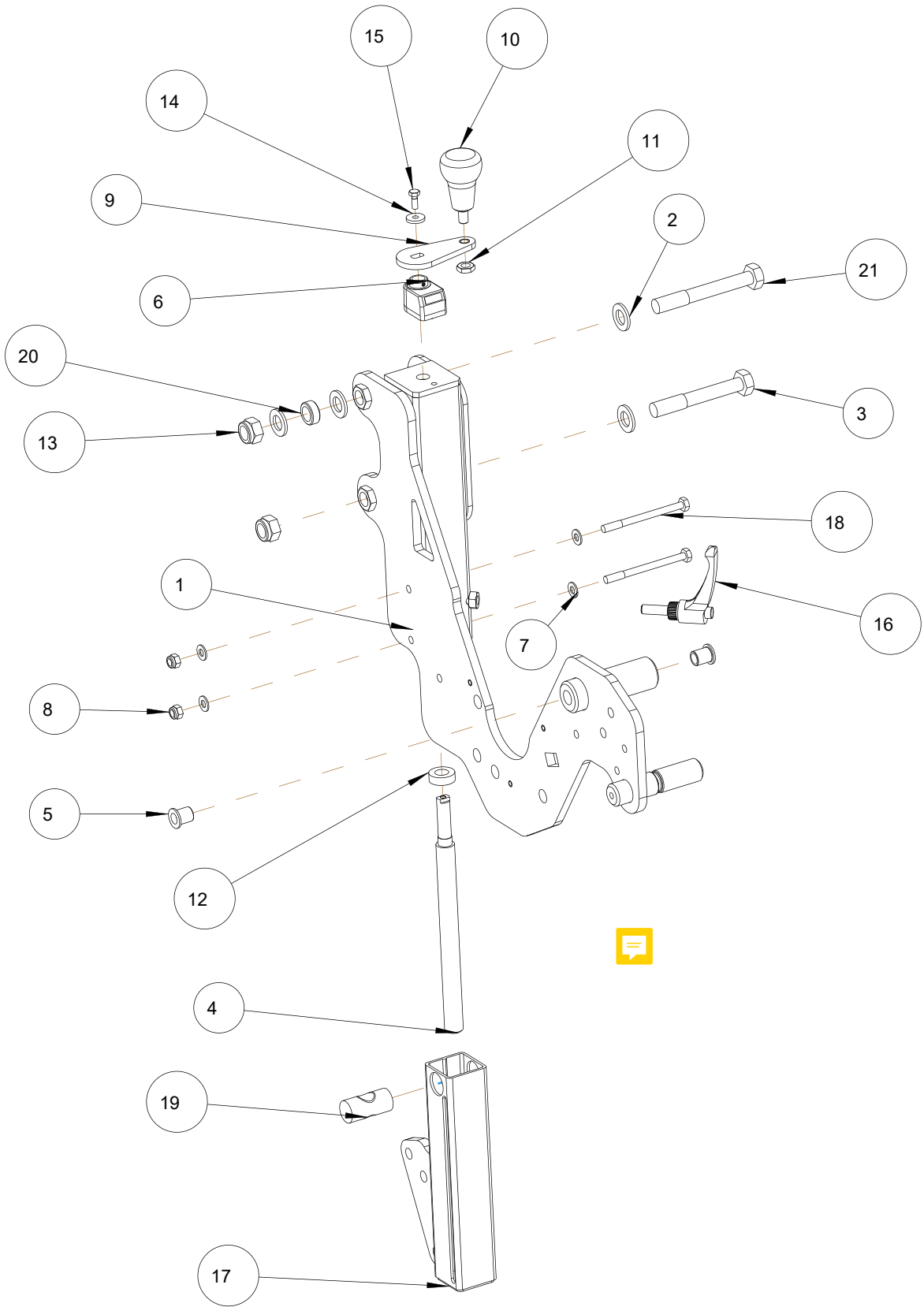


NUM	QTY	PART NUMBER	DESCRIPTION
1	1	S74-00014	PA TOP PARALLEL ARM W/A
2	4	S20-00001	SLEEVE FLANGE BUSH 161812
3	1	SHW2306102	BOLT M12 x 70
4	1	SHW2303045	LOCKNUT M12



NUM	QTY	PART NUMBER	DESCRIPTION
1	1	S74-00015	BOTTOM PARALLEL ARM W/A
2	4	S20-00001	SLEEVE FLANGE BUSH 161812

PA CHASSIS
S77-00021



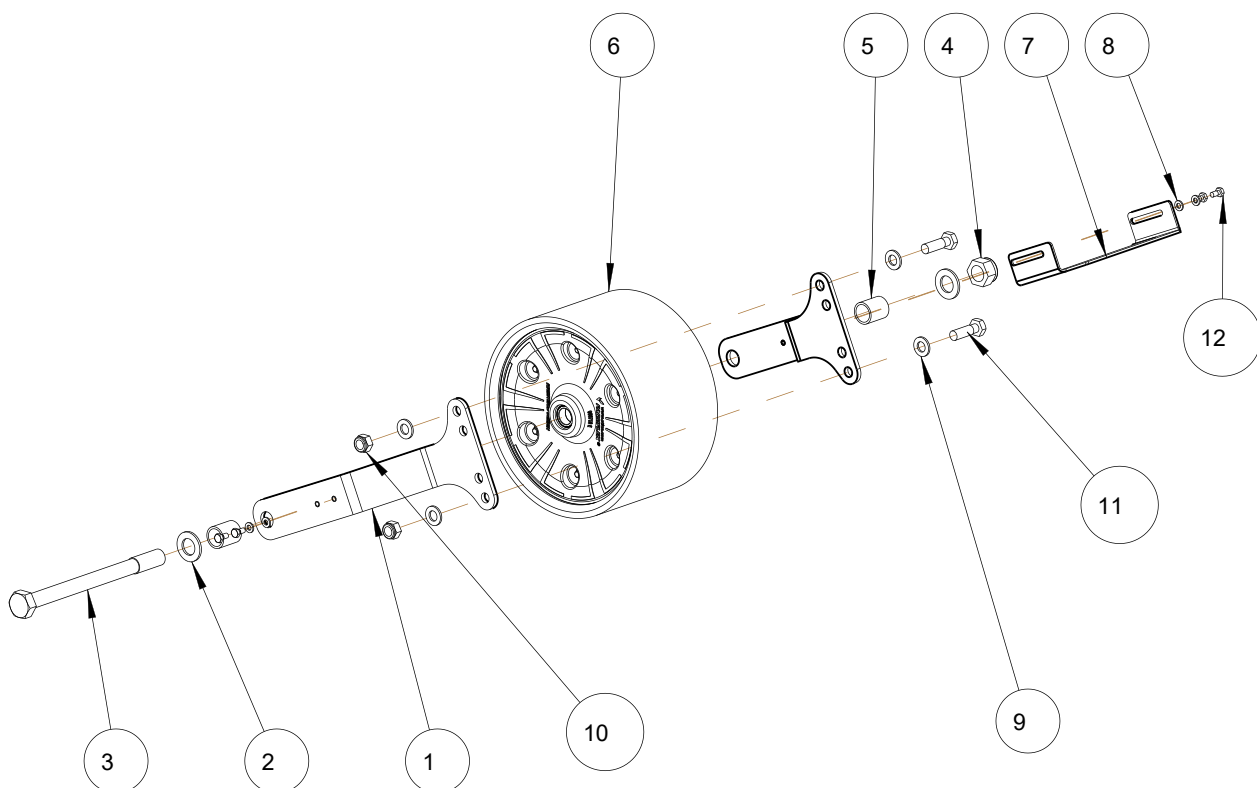
PA CHASSIS



S77-00021

NUM	QTY	PART NUMBER	DESCRIPTION
1	1	S74-00017	PA ROW UNIT CHASSIS W/A
2	4	SHW2311092	M16 FORM A
3	1	SHW2306137	BOLT M16 x 110
4	1	S64-00008	LEADSCREW 20X2.5
5	2	S20-00004	SLEEVE FLANGE BUSH 121620
6	1	S64-00012	COUNTER 4 DIGIT 14mm
7	4	SHW2311089	M8 FORM A
8	2	SHW2303092	M8 NYLOC NUT
9	1	S69-00027	PROFILE, HEIGHT ADJUSTER CRANK
10	1	S64-00013	ROTATING HANDLE SOFT
11	1	SHW2303044	LOCKNUT M10
12	1	S19-00002	THRUST BEARING 15X28X9
13	2	SHW2303129	M16 PHILIDAS NUT
14	1	S69-00035	PROFILE, CRANK WASHER
15	1	SHW2309033	SETSCREW M6 x 16
16	1	S64-00026	CLAMP LEVER M10x30
17	1	S74-00016	PA FRONT WHEEL W/A
18	2	SHW2306048	BOLT M8 x 100
19	1	S69-00053	BOSS BARREL NUT M20
20	1	S69-00042	BOSS PA LATCH UP SPACER
21	1	SHW2306138	BOLT M16 x 120

S77-00022

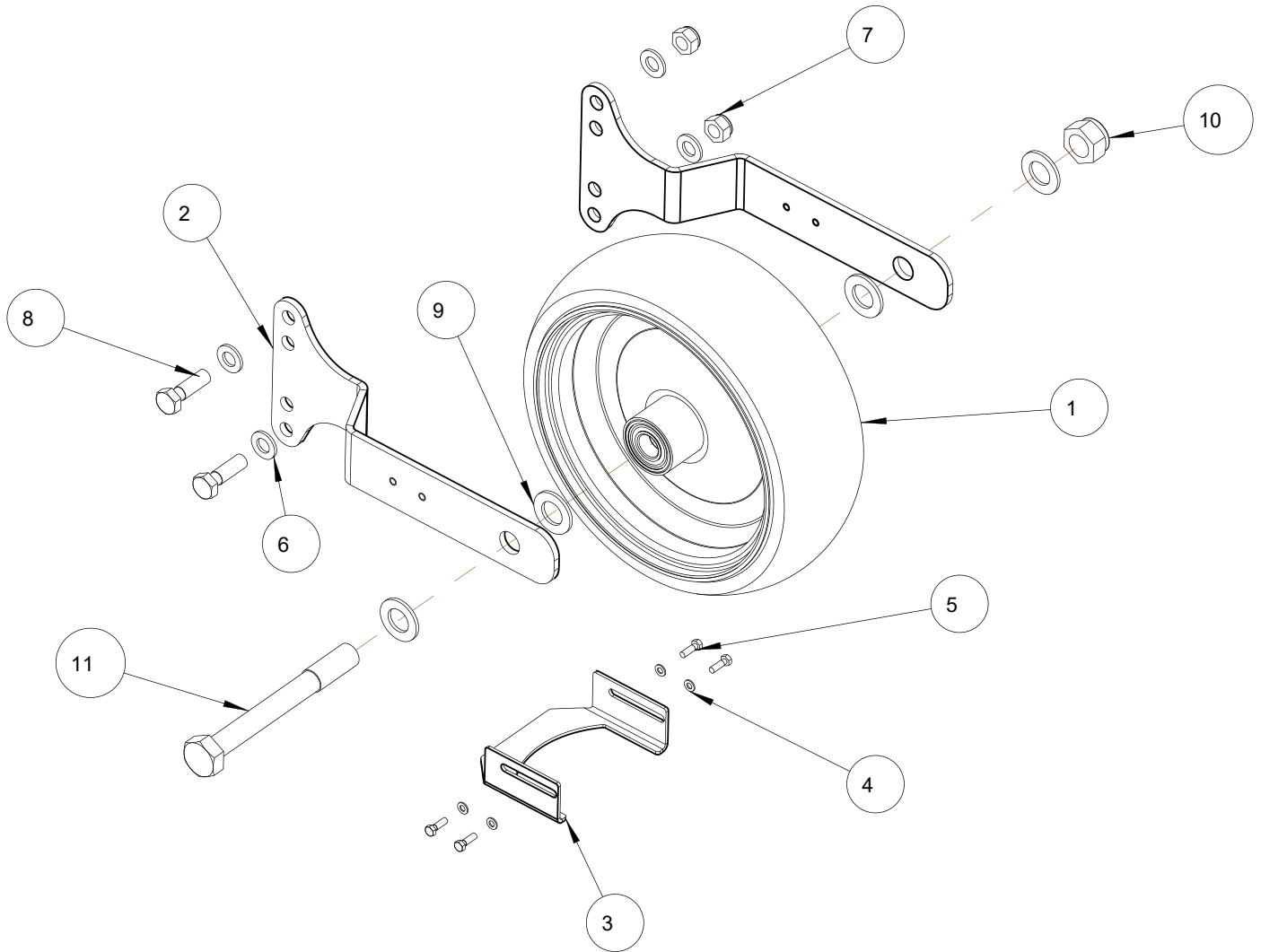


NUM	QTY	PART NUMBER	DESCRIPTION
1	2	S72-00044	PRESSING, FRONT WHEEL MOUNT
2	2	SHW2311093	M20 FORM A
3	1	SHW2306177	BOLT M20 x 240
4	1	SHW2303096	M20 NYLOC NUT
5	2	SHW6904543	WHEEL SPACER 32
6	1	SHW5700422	MZP WHEEL
7	1	S69-00016	PRESSING, FRONT WHEEL SCRAPER
8	4	SHW2311088	M6 FORM A
9	4	SHW2311091	M12 FORM A
10	2	SHW2303094	M12 NYLOC NUT
11	2	SHW2306096	BOLT M12 x 40
12	4	SHW2309032	SETSCREW M6 x 12

PA 100ZP FRONT WHEEL W SCRAPER

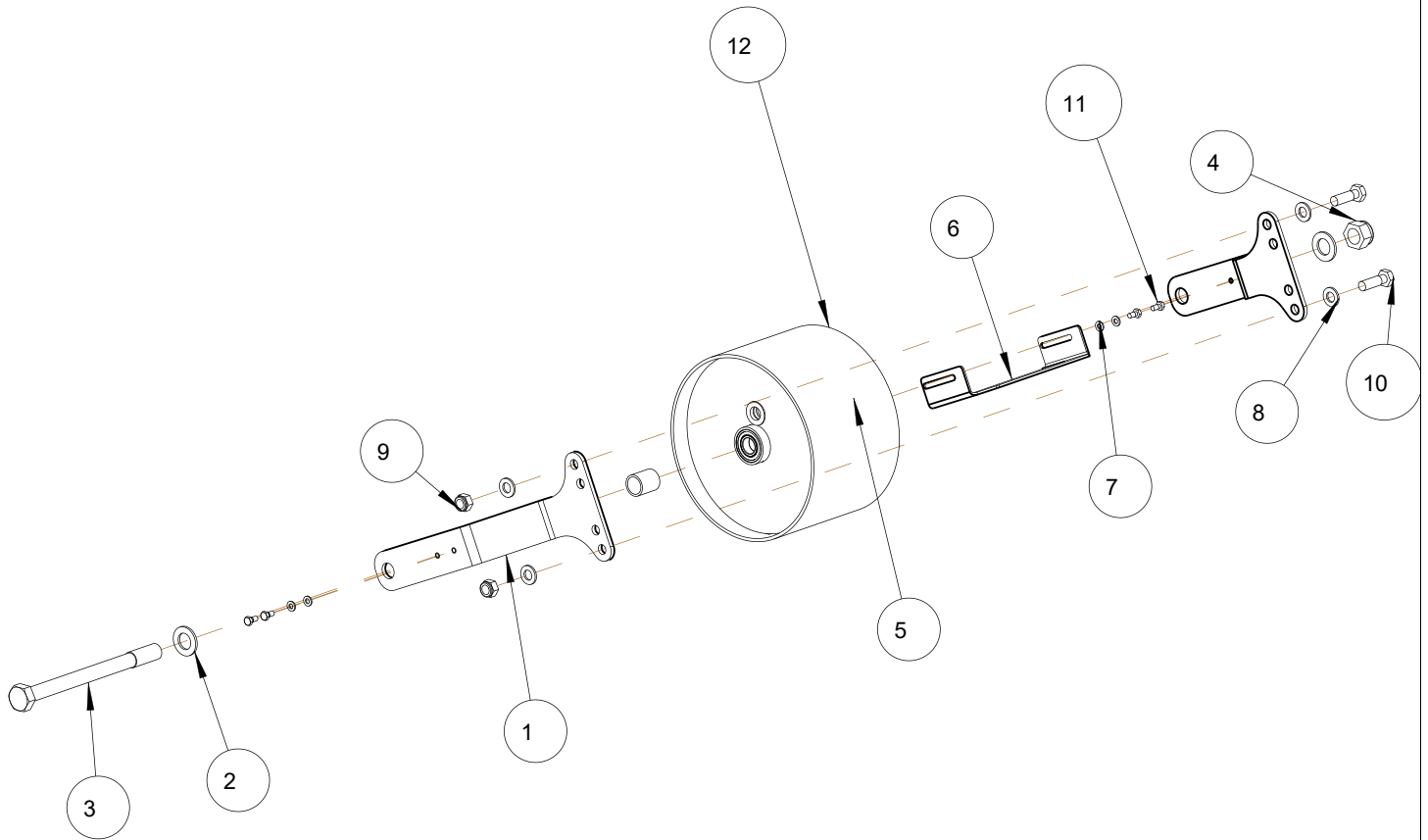


S77-00039



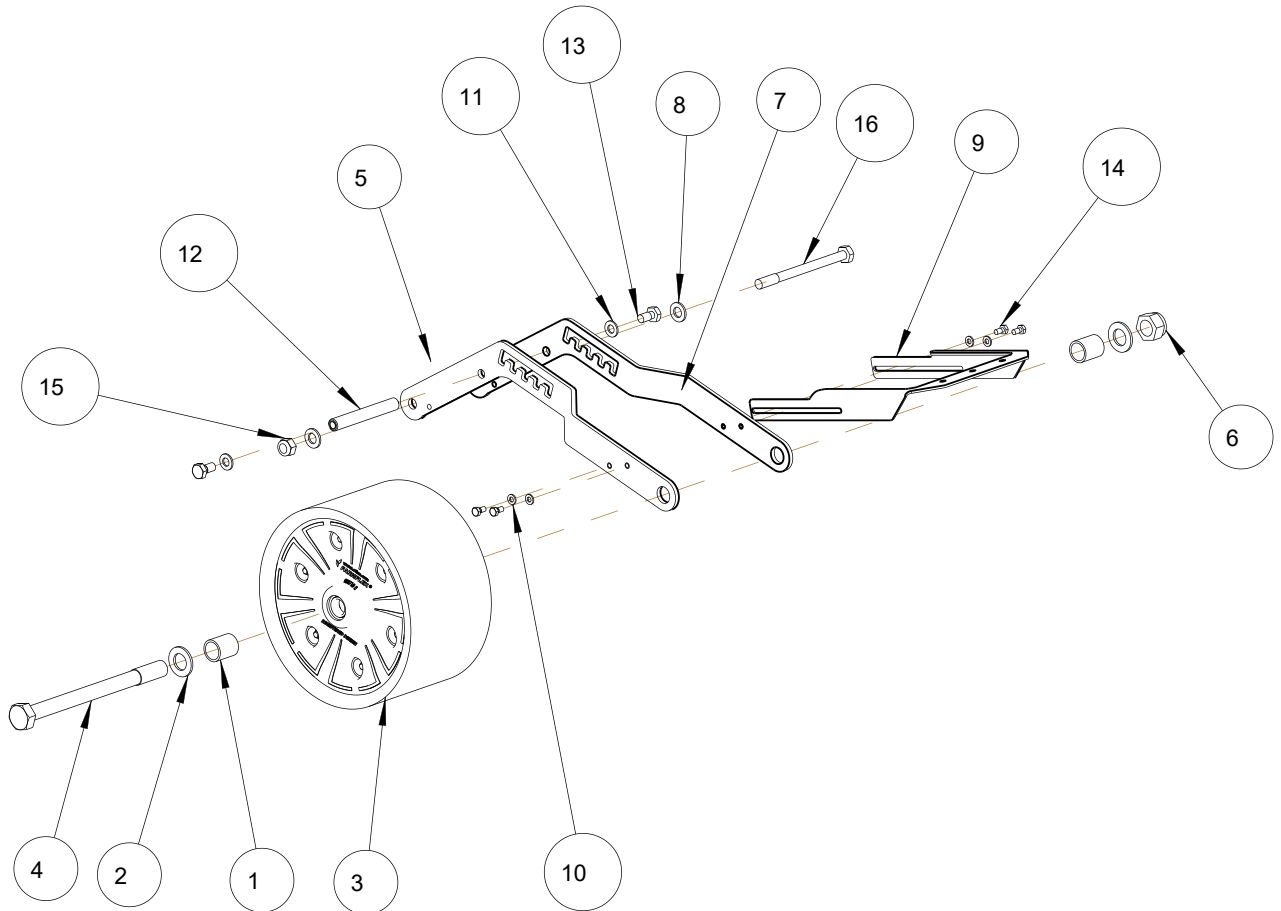
NUM	QTY	PART NUMBER	DESCRIPTION
1	1	SHW5700398	300X100 ZPW
2	2	S69-00070	PROFILE, PA FW MTG ZP
3	1	S69-00071	PROFILE, PA 100ZP SCRAPER
4	4	SHW2310111	M5 FORM A
5	4	SHW2309023	SETSCREW M5 x 16
6	4	SHW2311091	M12 FORM A
7	2	SHW2303094	M12 NYLOC NUT
8	2	SHW2306096	BOLT M12 x 40
9	4	SHW2311093	M20 FORM A
10	1	SHW2303096	M20 NYLOC NUT
11	1	SHW2306172	BOLT M20 x 170

S77-00034



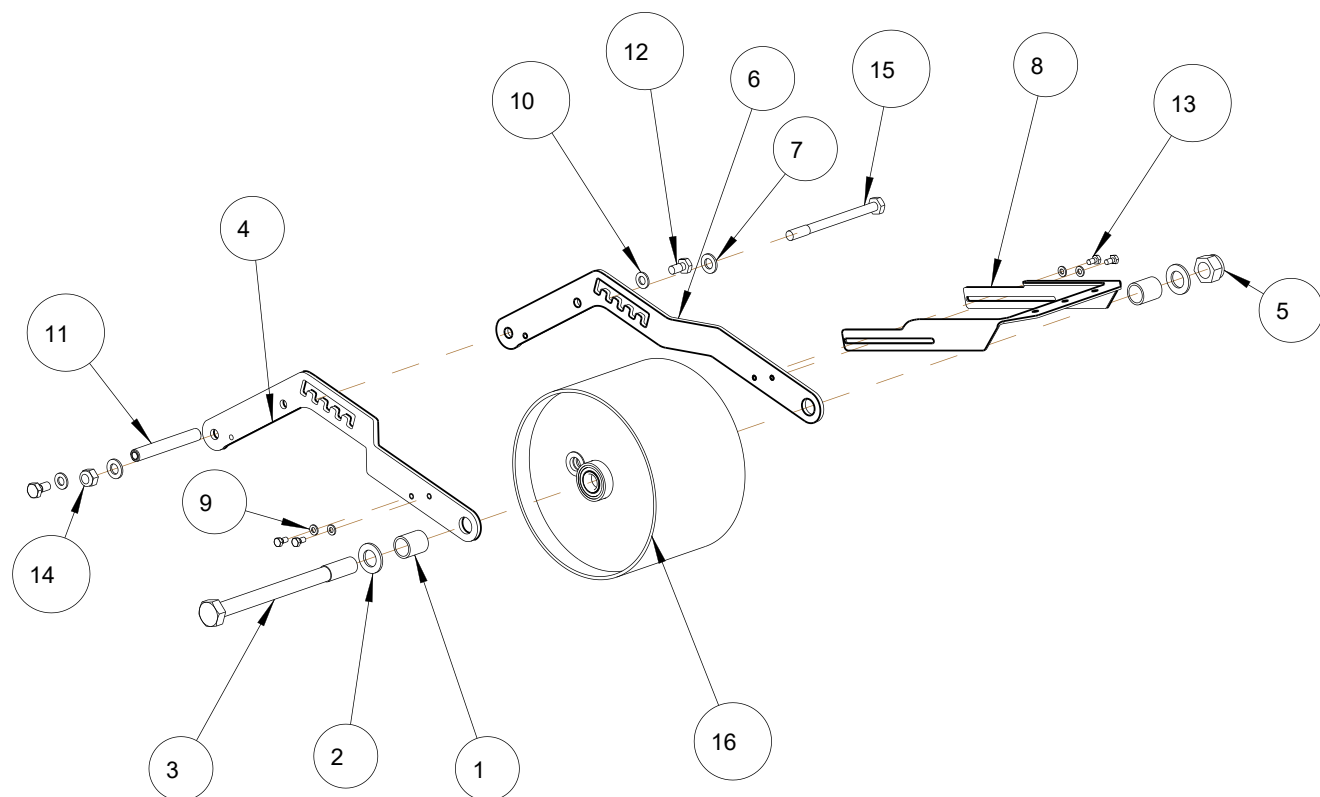
NUM	QTY	PART NUMBER	DESCRIPTION
1	2	S72-00044	PRESSING, FRONT WHEEL MOUNT
2	2	SHW2311093	M20 FORM A
3	1	SHW2306177	BOLT M20 x 240
4	1	SHW2303096	M20 NYLOC NUT
5	2	SHW6904543	WHEEL SPACER 32
6	1	S69-00016	PRESSING, FRONT WHEEL SCRAPER
7	4	SHW2311088	M6 FORM A
8	4	SHW2311091	M12 FORM A
9	2	SHW2303094	M12 NYLOC NUT
10	2	SHW2306096	BOLT M12 x 40
11	4	SHW2309032	SETSCREW M6 x 12
12	1	SHW7704452	160 SS WHEEL ASSY

S77-00023



NUM	QTY	PART NUMBER	DESCRIPTION
1	2	SHW6904543	WHEEL SPACER 32
2	2	SHW2311093	M20 FORM A
3	1	SHW5700422	MZP WHEEL
4	1	SHW2306177	BOLT M20 x 240
5	1	S69-00021	PRESSING, LH REAR WHEEL MOUNT
6	1	SHW2303096	M20 NYLOC NUT
7	1	S69-00022	PRESSING, RH REAR WHEEL MOUNT
8	2	SHW2311091	M12 FORM A
9	1	S69-00023	PRESSING, REAR WHEEL SCRAPER
10	4	SHW2311088	M6 FORM A
11	2	SHW2311090	M10 FORM A
12	1	S69-00034	BOSS, REAR WHEEL STOP
13	2	SHW2309061	SETSCREW M10 x 20
14	4	SHW2309032	SETSCREW M6 x 12
15	1	SHW2303094	M12 NYLOC NUT
16	1	SHW2306111	BOLT M12 x 150

S77-00035

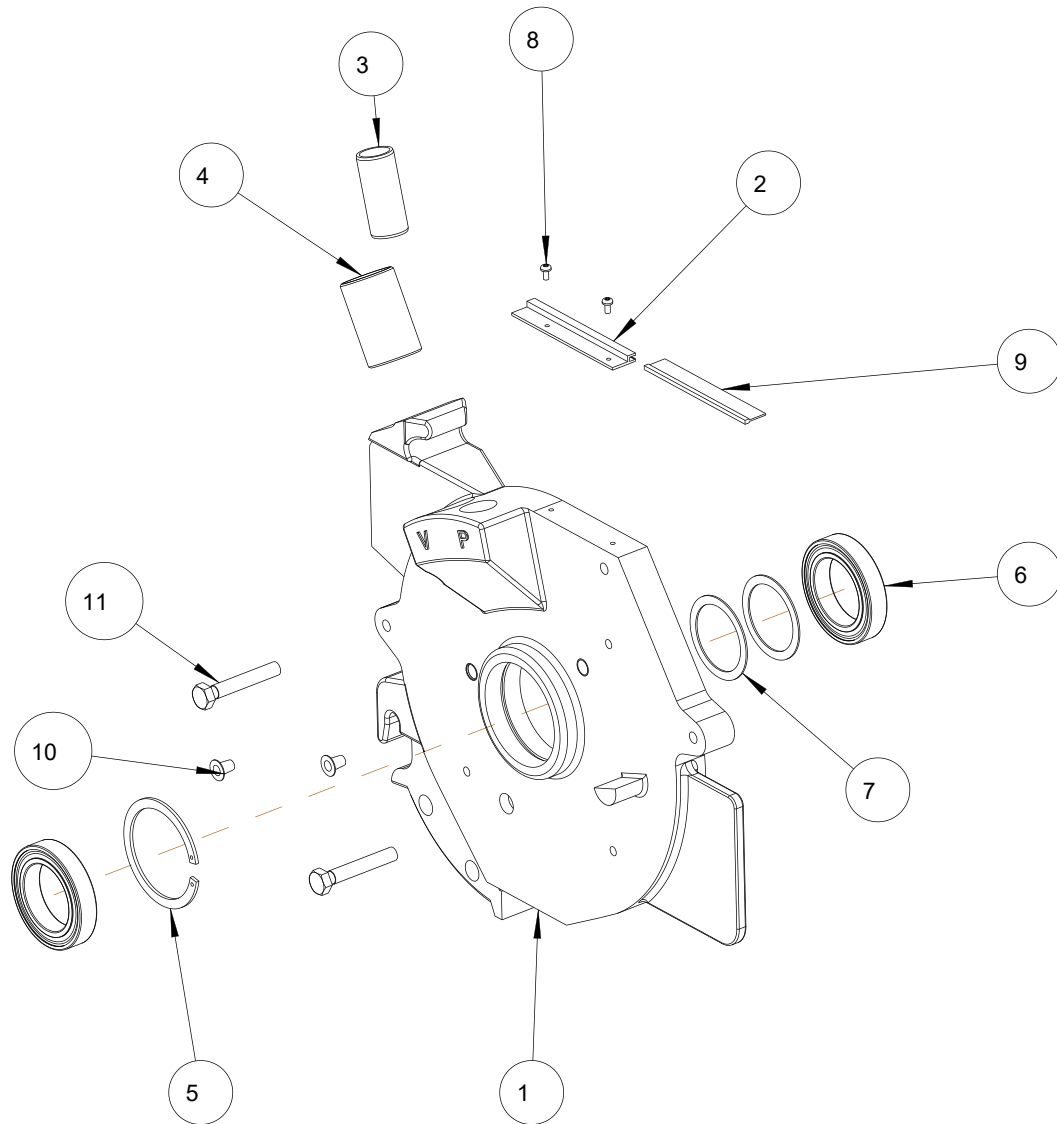


NUM	QTY	PART NUMBER	DESCRIPTION
1	2	SHW6904543	WHEEL SPACER 32
2	2	SHW2311093	M20 FORM A
3	1	SHW2306177	BOLT M20 x 240
4	1	S69-00021	PRESSING, LH REAR WHEEL MOUNT
5	1	SHW2303096	M20 NYLOC NUT
6	1	S69-00022	PRESSING, RH REAR WHEEL MOUNT
7	2	SHW2311091	M12 FORM A
8	1	S69-00023	PRESSING, REAR WHEEL SCRAPER
9	4	SHW2311088	M6 FORM A
10	2	SHW2311090	M10 FORM A
11	1	S69-00034	BOSS, REAR WHEEL STOP
12	2	SHW2309061	SETSCREW M10 x 20
13	4	SHW2309032	SETSCREW M6 x 12
14	1	SHW2303094	M12 NYLOC NUT
15	1	SHW2306111	BOLT M12 x 150
16	1	SHW7704452	160 SS WHEEL ASSY

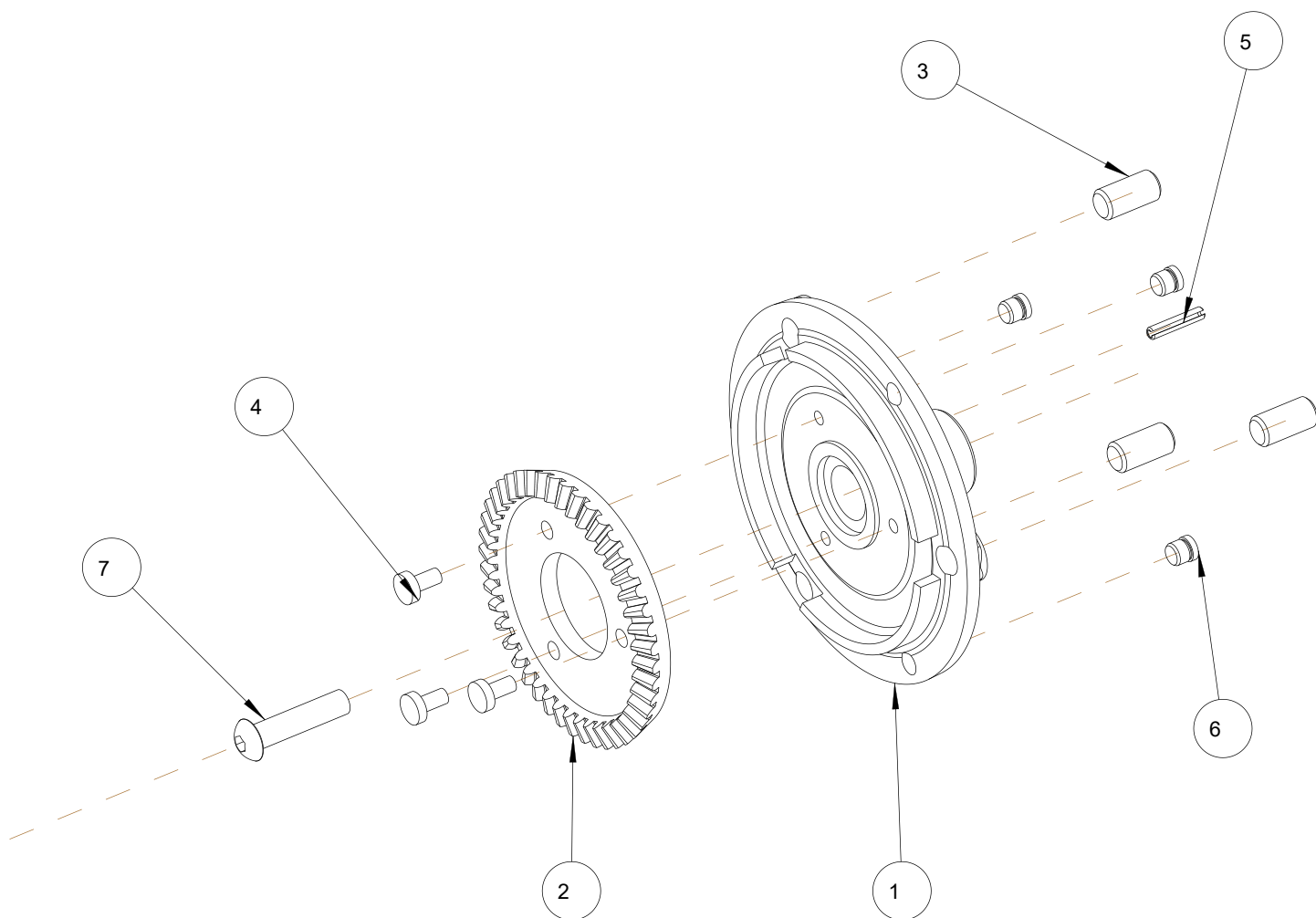
BODY DRIVE SIDE ASSY



SHW7703249



NUM	QTY	PART NUMBER	DESCRIPTION
1	1	SHW3000690	SR1 BODY DRIVE SIDE MACHINED
2	1	SHW6409377	BRUSH CARRIER - BODY SIDE
3	1	SHW6902510	HOSE CONNECTOR
4	1	SHW6902965	SR1 HOSE CONNECTOR VACUUM
5	1	SHW2217215	INT CIRCLIP
6	2	SHW1909029	2RS BALL BEARING
7	2	SHW6409401	ANDERTON SHIM 40-50-1.0
8	2	SHW2357002	M3x6 POZI HD SCREW
9	1	SHW6409379	SINGULATOR ARM BRUSH
10	2	SHW6402001	NO7. POLYTH.PROT.PLUG
11	2	SHW2309053	SETSCREW M8 x 50

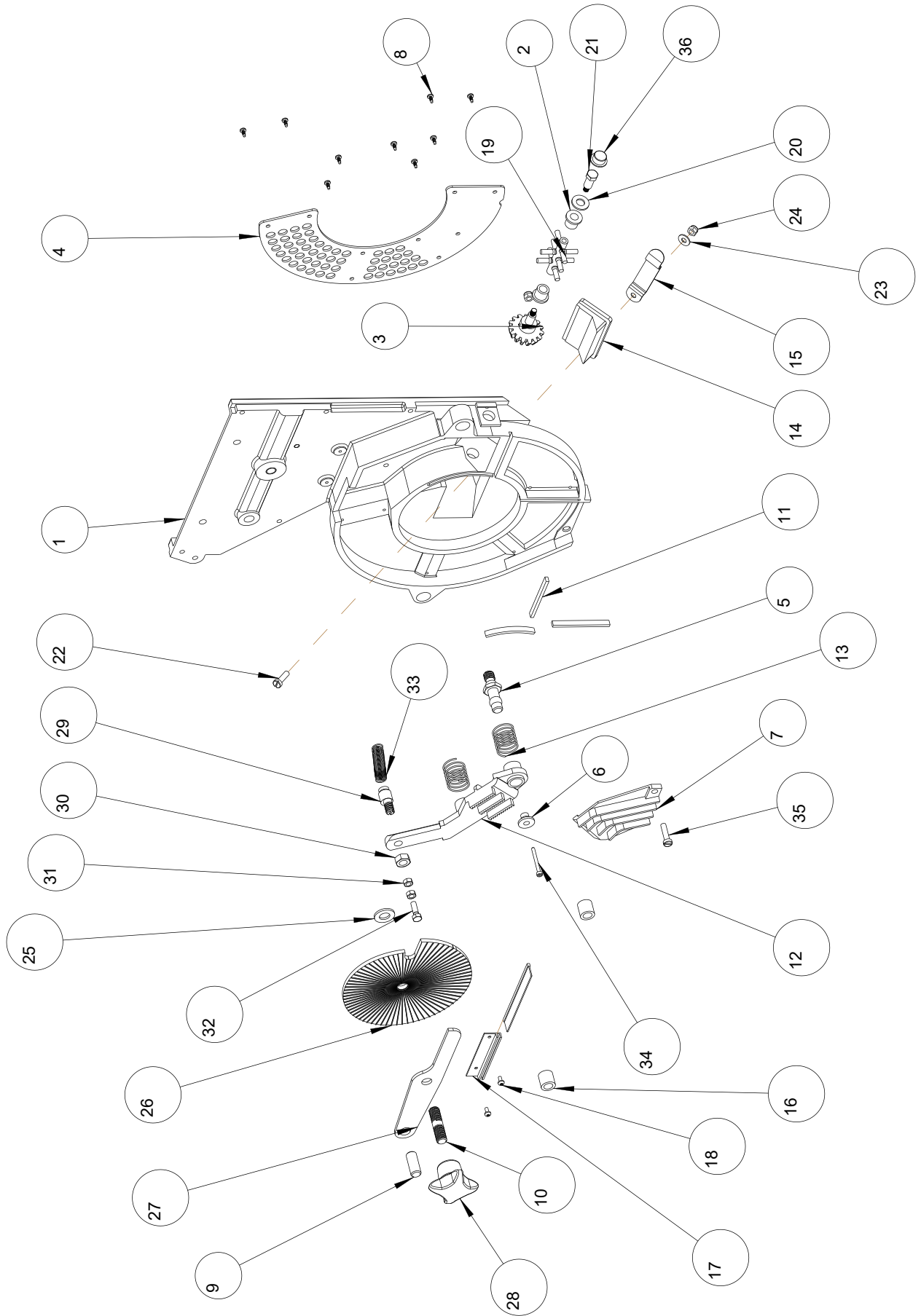


NUM	QTY	PART NUMBER	DESCRIPTION
1	1	SHW3000517	785 TURNTABLE MACHINED
2	1	SHW1502001	CROWNWHEEL 45T
3	3	SHW6409339	DOWN STEEL PIN
4	3	SHW2357022	M5X10 TAPTITE POZ PAN HD
5	1	SHW2215253	TENSION PIN
6	3	SHW6402048	PLUG
7	1	SHW2377084	BUTTON HEAD M8 X 35

STAR HOP SIDE COMMON PARTS



SHW7704379



STAR HOP SIDE COMMON PARTS



SHW7704379

NUM	QTY	PART NUMBER	DESCRIPTION
1	1	SHW3000630	785 BODY HOPPER SIDE
2	2	SHW2002012	OILITE FLNGD BRG
3	1	SHW7702880	15T PINION/SPINDLE - ASSY
4	1	SHW6902586	COVER PLATE
5	1	SHW6902822	SINGULATOR SPINDLE
6	1	SHW6902823	SINGULATOR END CAP
7	1	SHW2810215	SEED SPLITTER
8	9	SHW2357002	M6X6 TAPTITE POZ PAN
9	1	SHW6409340	10 X 25 DOWEL PIN
10	1	SHW6902496	CAM STUD
11	3	SHW6902687	FELT SEAL
12	1	SHW2810203	MUTLI-LINE SINGULATOR
13	2	SHW2701060	SINGULATOR SPRING
14	1	SHW2810206	UNIT PLUG
15	1	SHW2705008	PLUG CLIP
16	2	SHW2001074	OILITE BRG 091414
17	1	SHW6409378	BRUSH CARRIER HOPPER SIDE
18	2	SHW2357002	M3x6 POZI HD SCREW
19	1	SHW7702830	785 AGITATOR - ASSY
20	1	SHW2311089	M8 FORM A
21	1	SHW6902665	AGITATOR FIXING BOLT
22	1	SHW2332105	CHEESE HD M5X16
23	1	SHW2311132	M5 FORM C
24	2	SHW2303090	M5 NYLOC NUT
25	1	SHW2311090	M10 FORM A
26	1	SHW2810204	SINGULATOR CAM
27	1	SHW6902498	SINGULATOR SETTING ARM
28	1	SHW6404015	KNOBS HANDWHEEL
29	1	SHW6902711	ECCENTRIC SINGULATOR PIN
30	1	SHW2203007	NUT M8 (UNPLATED)
31	2	SHW2303005	NUT M5
32	1	SHW2309023	SETSCREW M5 x 16
33	1	SHW2702040	SINGULATOR ARM SPRING
34	1	SHW2375009	SOCKET CAP M3 X 30
35	1	SHW2332106	CHEESE HD M5X20
36	1	SHW6402038	PROT. CAP 12165

BREAKDOWN

QTY	PART NUMBER	DESCRIPTION
1	SHW1502003	15T PINION
1	SHW6902584	AGIT FIXING BOLT
1	SHW2214280	TENSION PIN
1	SHW2311089	M8 WASHER FORM A

FOR OTHER OPTION OF SEED SPLITTERS REFER TO PAGE 21

FOR OTHER OPTIONS OF SINGULATORS REFER TO PAGE 22

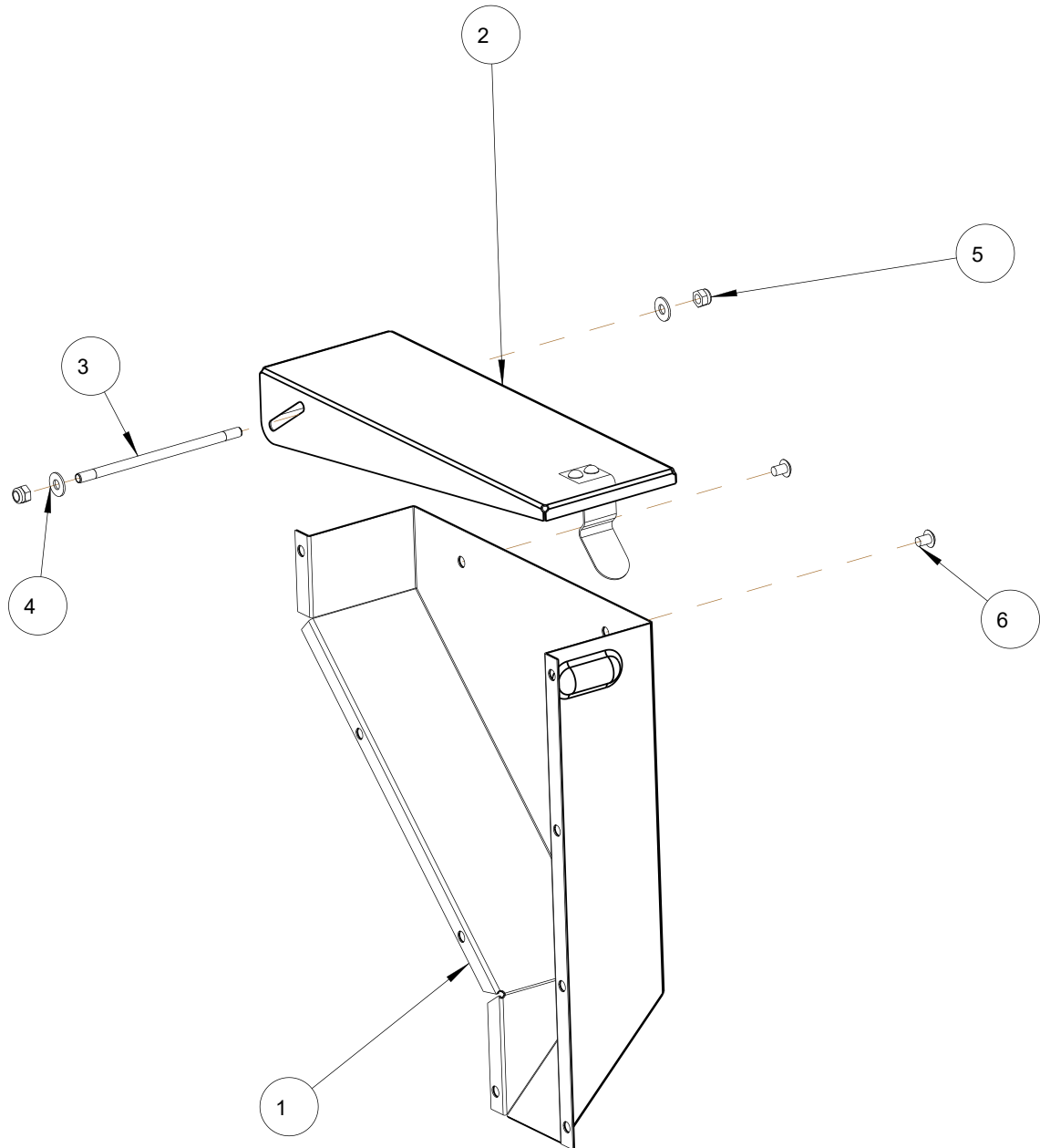
BREAKDOWN

QTY	PART NUMBER	DESCRIPTION
1	SHW6902664	AGIT SPINDLE
5	SHW2830040	AGIT FINGER

FOR OTHER OPTIONS OF AGITATORS REFER TO PAGE 23

2L HOPPER

SHW8004076

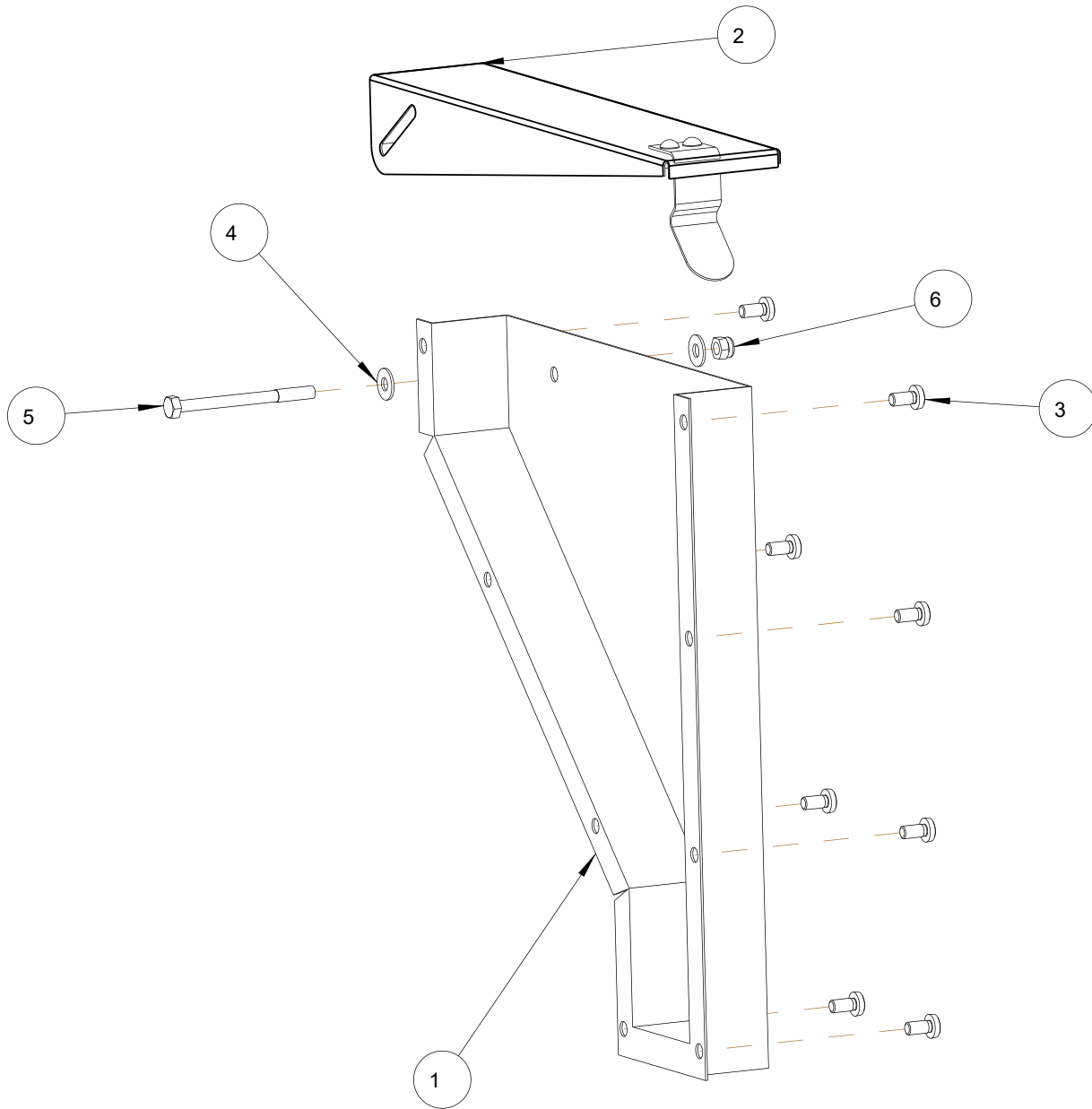


NUM	QTY	PART NUMBER	DESCRIPTION
1	1	SHW7402812	2L. HOPPER W/A
2	1	SHW7702689	2L HOPPER LID ASSY
3	1	SHW6903011	2L HOPPER HINGE PIN
4	2	SHW2311132	M5 FORM C
5	2	SHW2303090	M5 NYLOC NUT
6	2	SHW2212570	POP RIVET AD612SB

1 LTR HOPPER CONV KIT



SHW8002507

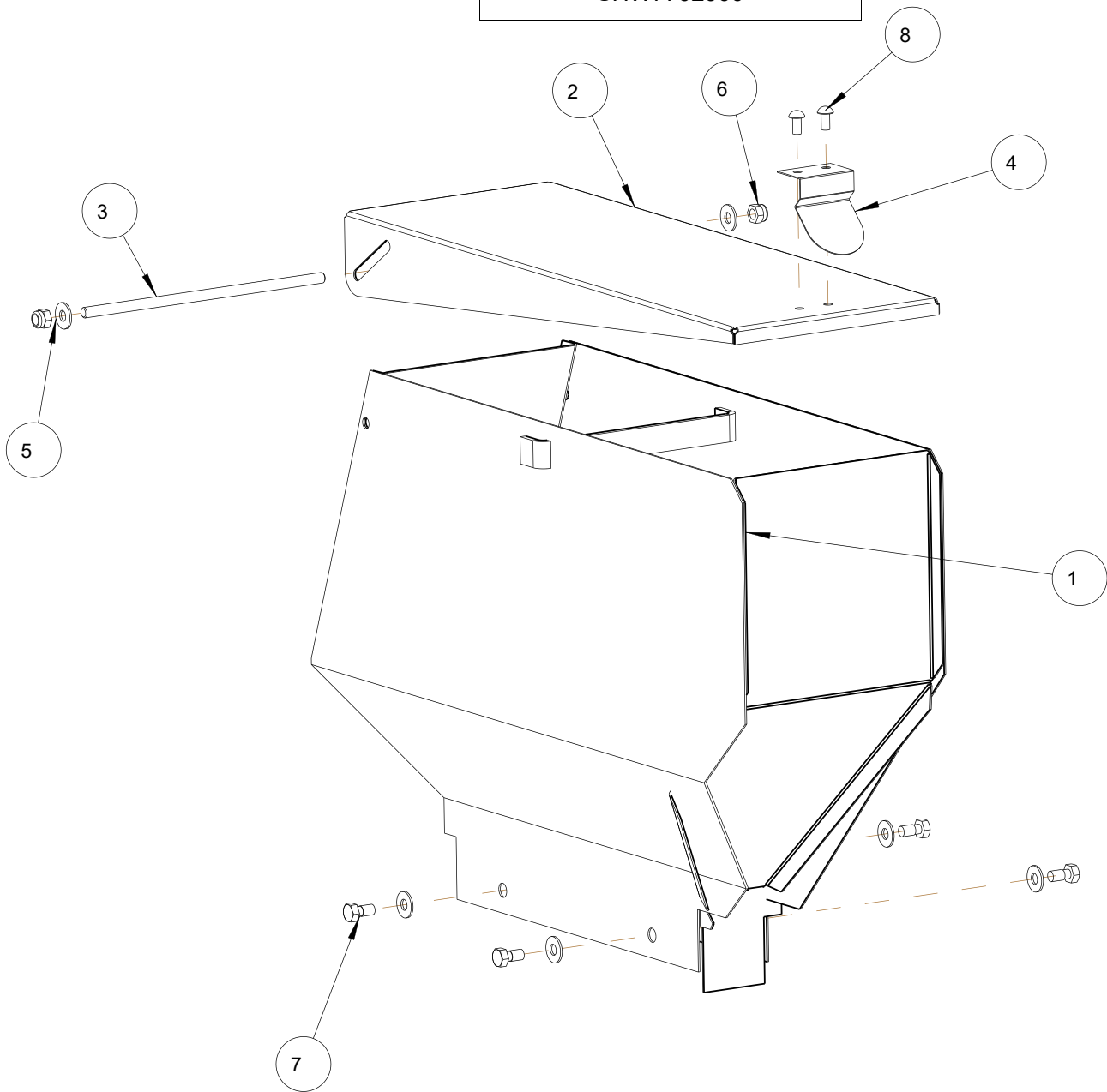


NUM	QTY	PART NUMBER	DESCRIPTION
1	1	SHW7402811	1L HOPPER - W/A
2	1	SHW7702688	1L HOPPER LID - ASSY
3	8	SHW2357022	M5 X10 TAPITE POZ PAN HEAD SCREW
4	2	SHW2311132	M5 FORM C
5	1	SHW2306009	BOLT M5 x 60
6	1	SHW2303090	M5 NYLOC NUT

HOP EXTENSION -ASSY (1L)



SHW7702900

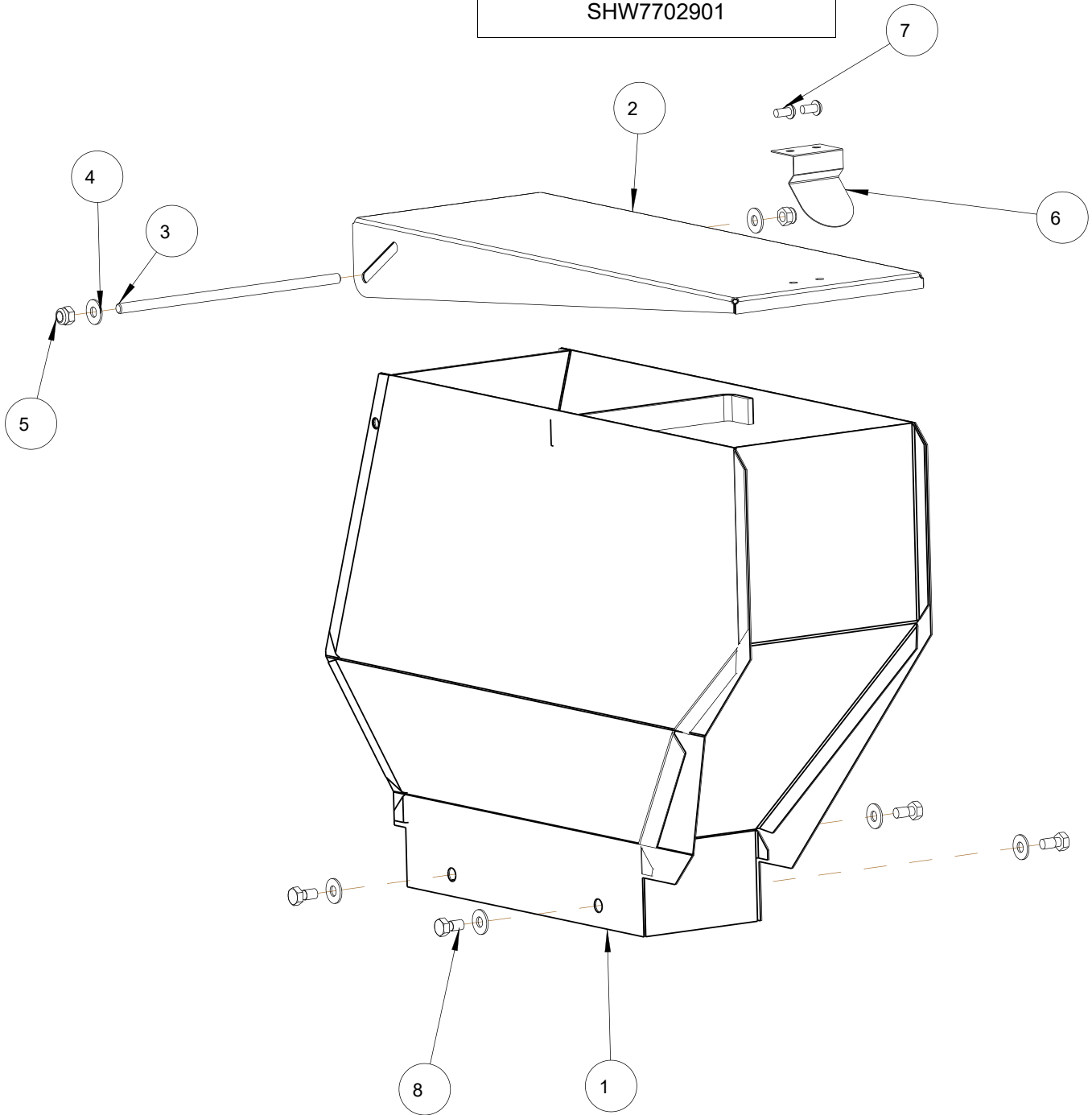


NUM	QTY	PART NUMBER	DESCRIPTION
1	1	SHW7402995	HOP EXTENSION - W/A (1L)
2	1	SHW6902271	HOPPER LID
3	1	SHW6903012	HOPPER HINGE PIN
4	1	SHW2705003	LID CLIP
5	6	SHW2311132	M5 FORM C
6	2	SHW2303090	M5 NYLOC NUT
7	4	SHW2309021	SETSCREW M5 x 10
8	2	SHW2212562	4MM RIVET

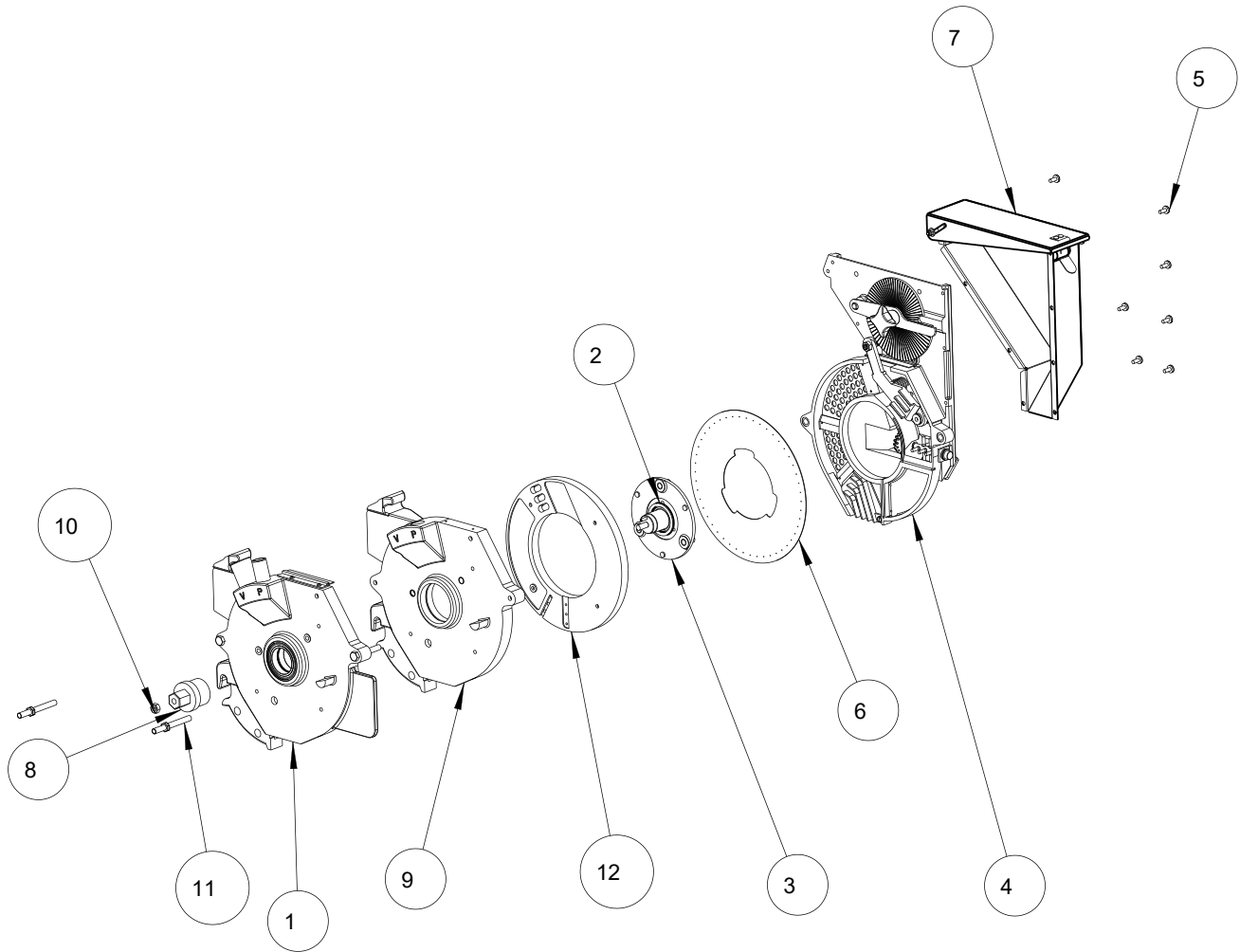
HOP EXTENSION - ASSY (2L)



SHW7702901

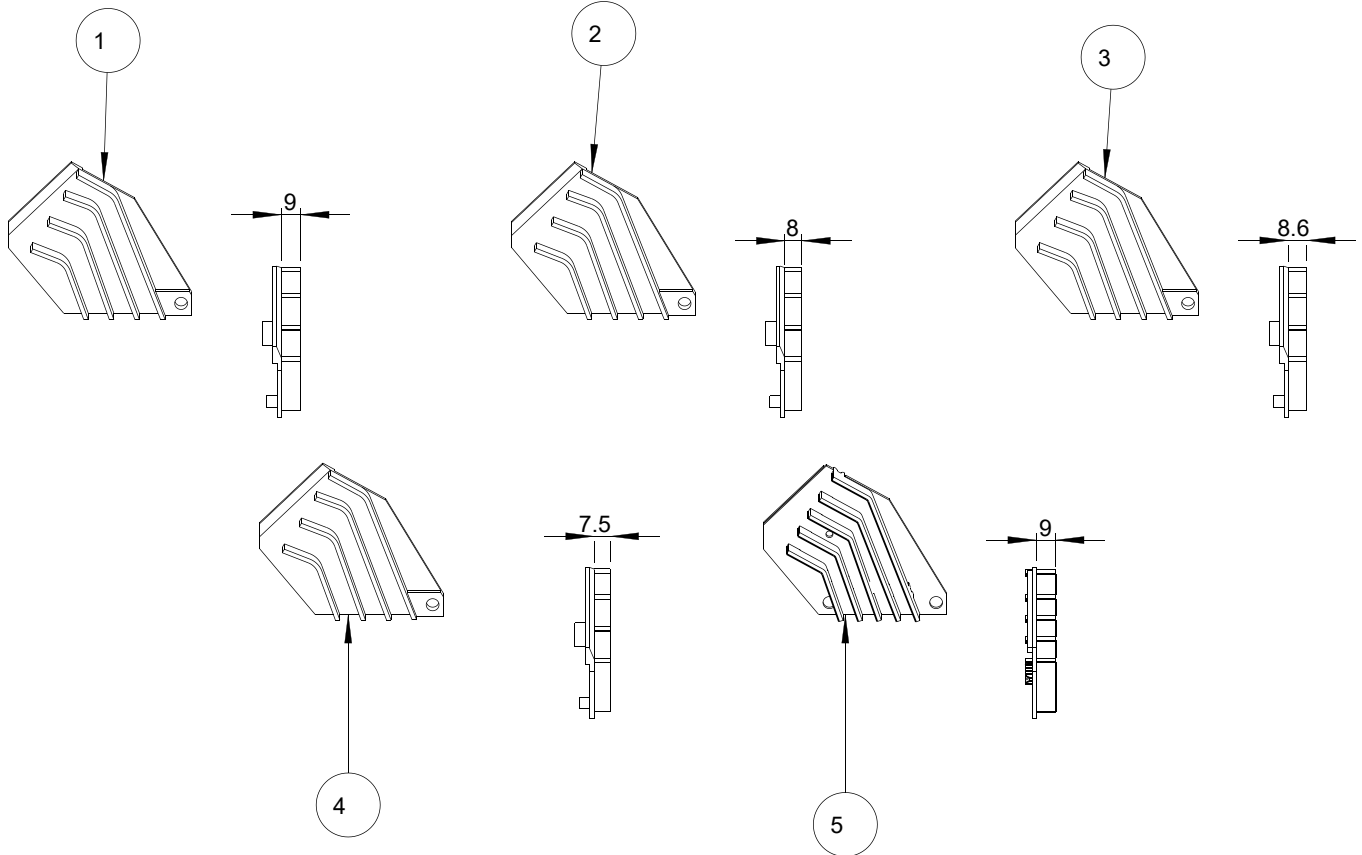


NUM	QTY	PART NUMBER	DESCRIPTION
1	1	SHW7402996	HOP EXTENSION - W/A (2L)
2	1	SHW6902271	HOPPER LID
3	1	SHW6903012	HOPPER HINGE PIN
4	6	SHW2311132	M5 FORM C
5	2	SHW2303090	M5 NYLOC NUT
6	1	SHW2705003	LID CLIP
7	2	SHW2212562	4MM RIVET
8	4	SHW2309021	SETSCREW M5 x 10

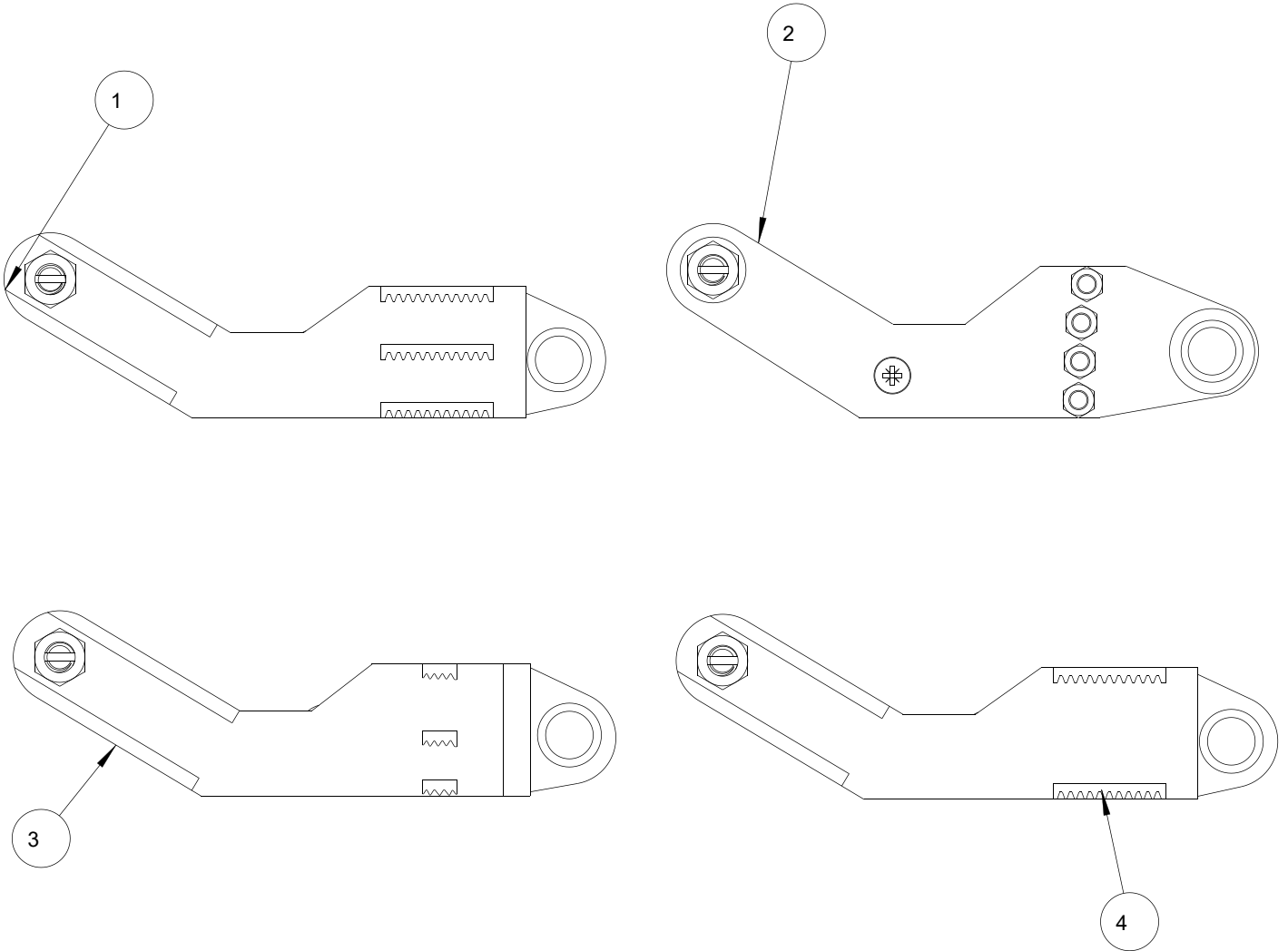


NUM	QTY	PART NUMBER	DESCRIPTION
1	1	SHW7703249	BODY DRIVE SIDE ASSY
2	1	SHW6409402	SUPPORT WASHER 2.5
3	1	SHW7702879	785- TURNTABLE ASSY
4	1	SHW7704379	STAR HOP SIDE COMMON PARTS
5	8	SHW2357022	TAPRITE-POSIDRIVE
6	1	N/A	SEED DISC
7	1	SHW8004076	2L HOPPER
8	1	S69-00033	BOSS, FLEXDRIVE UNIT
9	1	N/A	BODY DRIVE SIDE ASSY CUT
10	1	SHW2203007	NUT M8 (UNPLATED)
11	2	S69-00028	METERING UNIT M8 FIXING
12	1	SHW2810205	GREY AIR GALLERY BLOCK 3 LINE

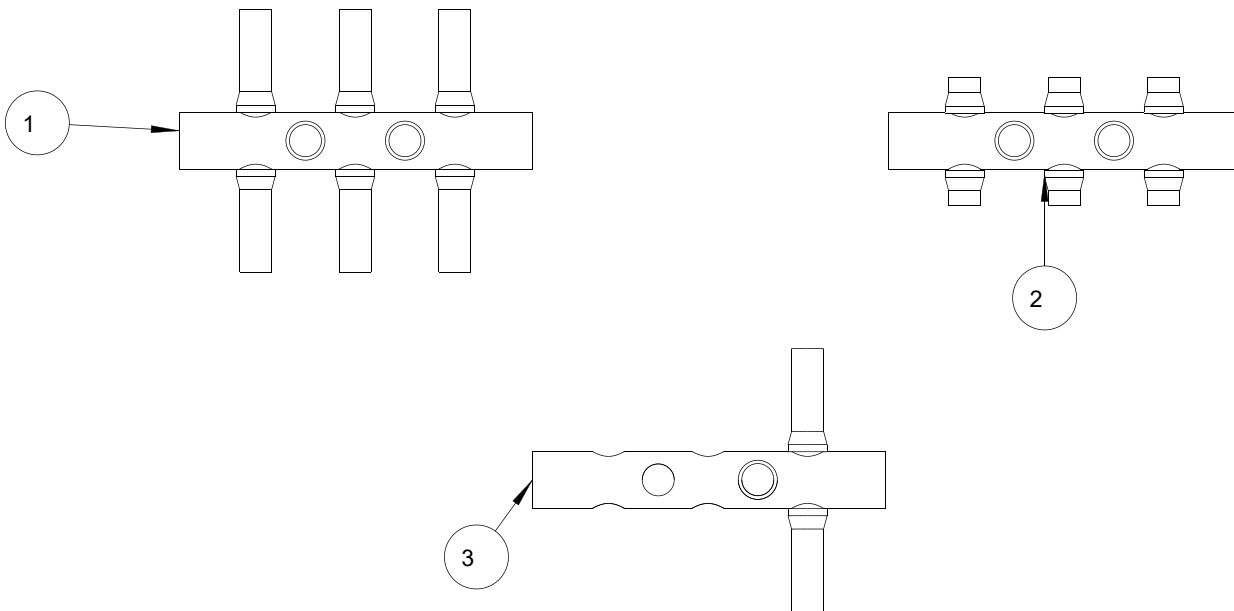
FOR OTHER OPTIONS OF GALLERY BLOCK REFER TO PAGE 24



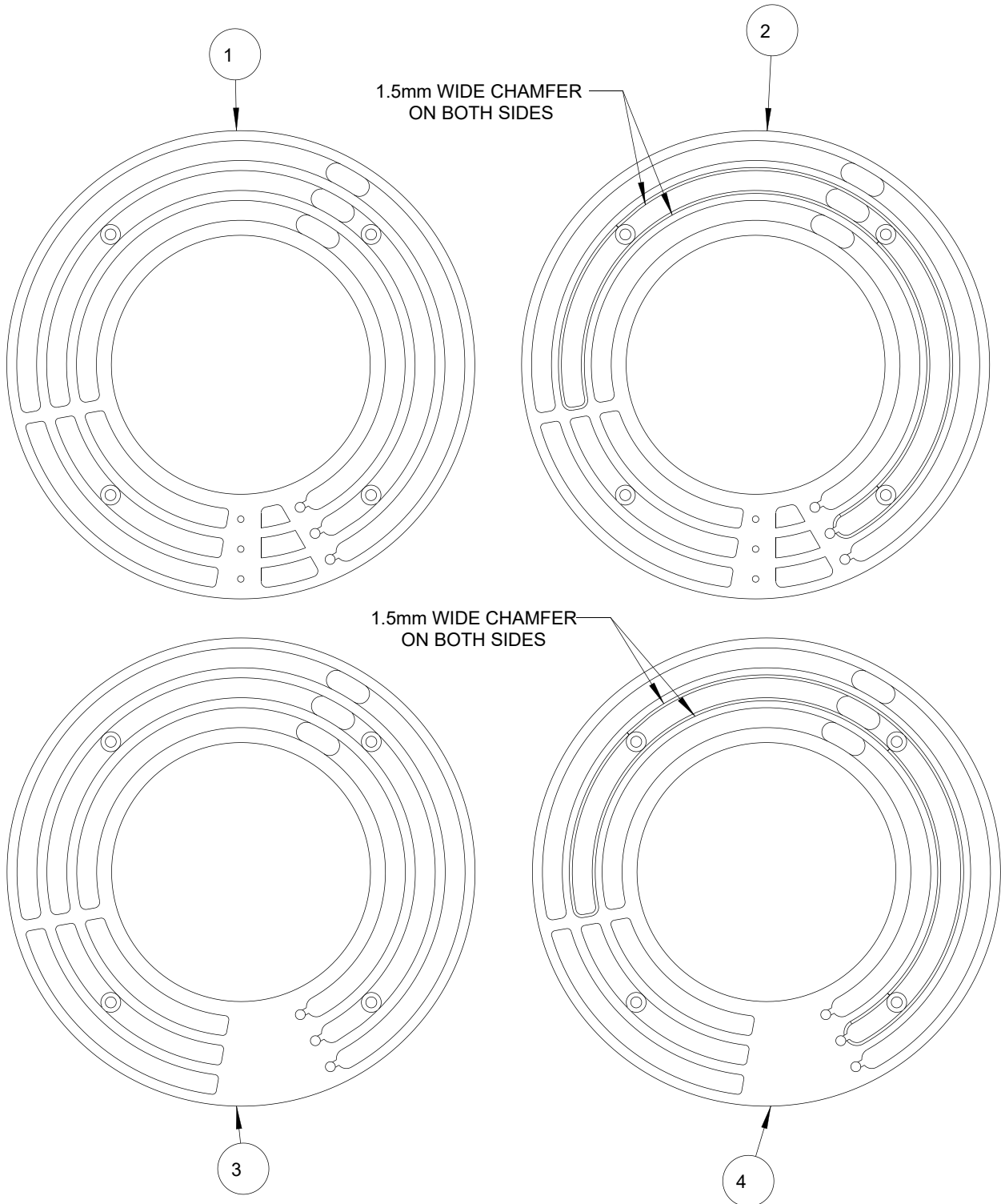
NUM	QTY	PART NUMBER	DESCRIPTION
1	2	SHW2810215	SEED SPLITTER
2	2	SHW6903213	SEED SPLITTER - RED BEET
3	2	SHW6903250	SEED SPLITTER - LETTUCE
4	2	SHW6903244	CHRYSATHEMUM SEED SPLITTER
5	2	SHW7404134	SEED SPLITTER - W/A 4 LINE



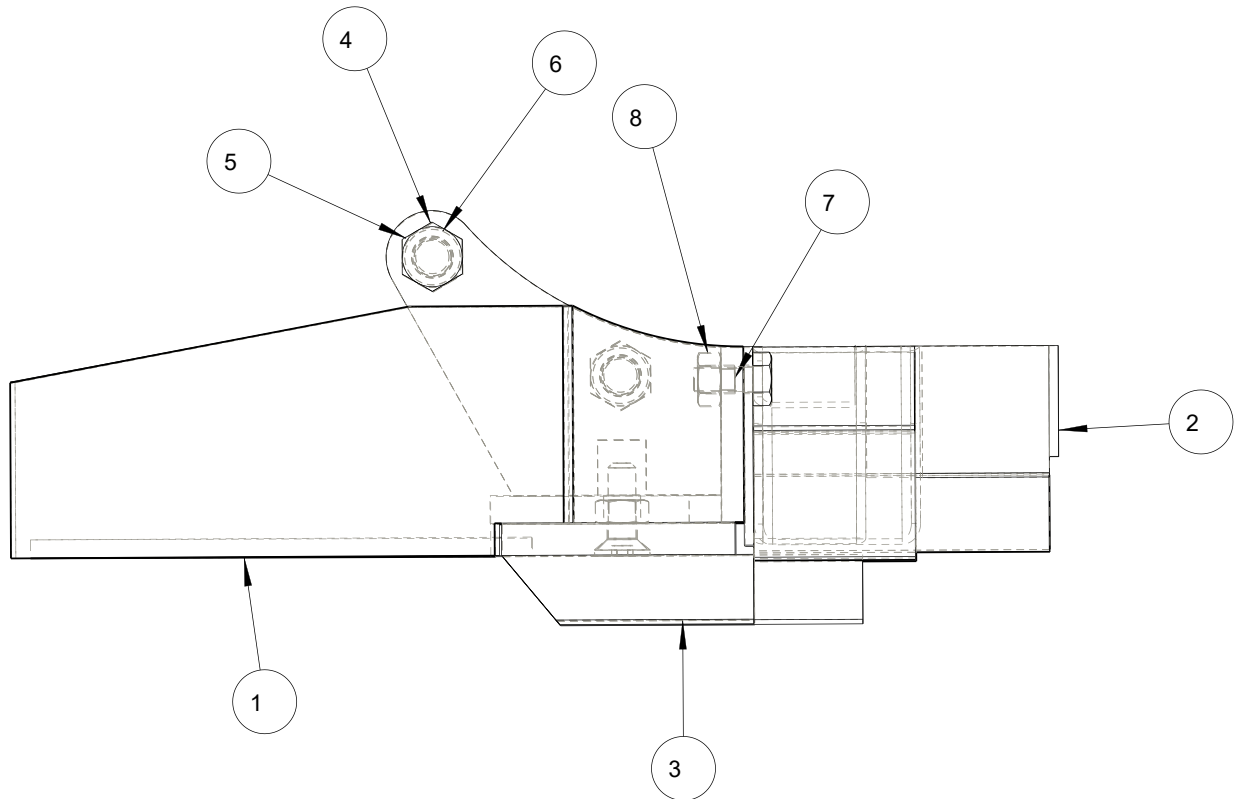
NUM	QTY	PART NUMBER	DESCRIPTION
1	1	SHW7703032	SINGULATOR MULTI-LINE
2	1	SHW7703875	4 LINE SINGULATOR ASSY
3	1	SHW7704026	RED BEET - SINGULATOR ASSY
4	1	SHW7703033	SINGULATOR - SINGLE LINE



NUM	QTY	PART NUMBER	DESCRIPTION
1	1	SHW7702830	785 AGITATOR - ASSY
2	1	SHW7702861	785 AGITATOR - ASSY- LARGE PELLET
3	1	SHW7702860	785 AGITATOR - ASSY - RAW PARSNIP



NUM	QTY	PART NUMBER	DESCRIPTION
1	1	SHW2810205	GREY AIR GALLERY BLOCK 3 LINE
2	1	SHW6904497	GREY AIR GALLERY BLOCK 4 LINE
3	1	SHW2810241	WHITE AIR GALLERY BLOCK 3 LINE
4	1	SHW6904501	WHITE AIR GALLERY BLOCK 4 LINE



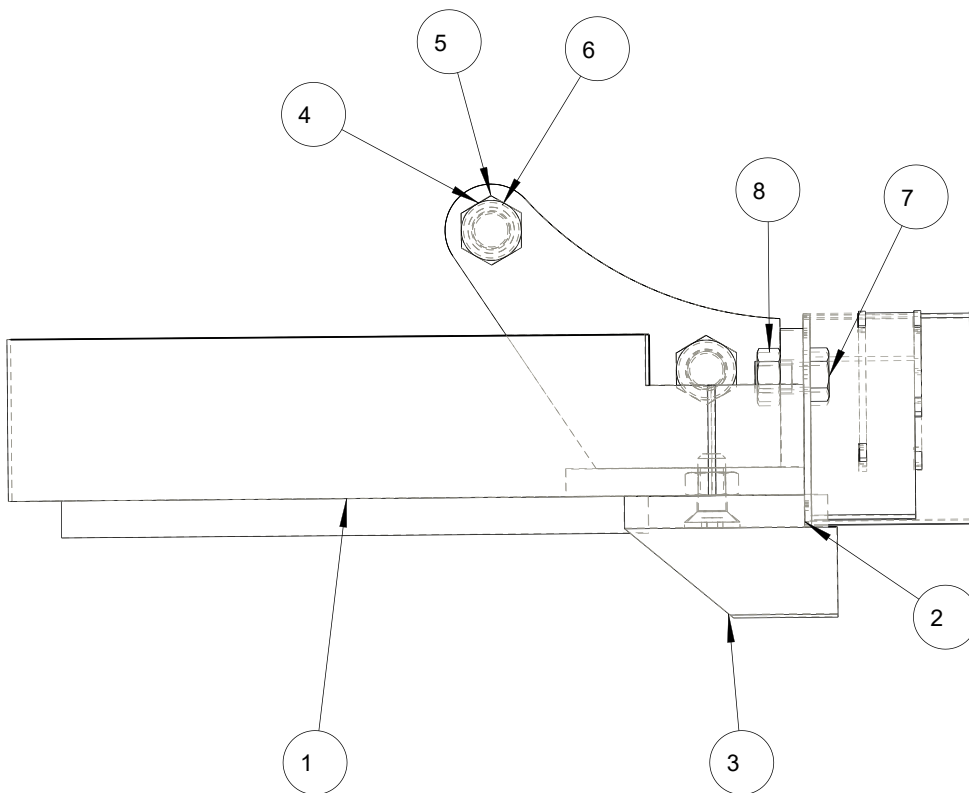
ASSEMBLIES: -

7702963 65mm x 2 LINE SHALLOW FIN COULTER ASSEMBLY (ITEMS 1-8)

7702964 65mm x 3 LINE SHALLOW FIN COULTER ASSEMBLY (ITEMS 1-8)

8010048 - 2 LINE
8010049 - 3 LINE

NUM	QTY	PART NUMBER	DESCRIPTION
1	1	SHW7403073	65 SF L/L COULTER BODY W/A
2	1	SHW7402997	65 x 3L LOLINE CHUTE
3	1		COULTER BASE 3L
4	2	SHW2306038	BOLT M8 x 40
5	2	SHW2203007	NUT M8 (UNPLATED)
6	2	SHW6902652	COULTER SCREW SPACER
7	2	SHW2309032	SETSCREW M6 x 12
8	2	SHW2303006	NUT M6



ASSEMBLIES: -

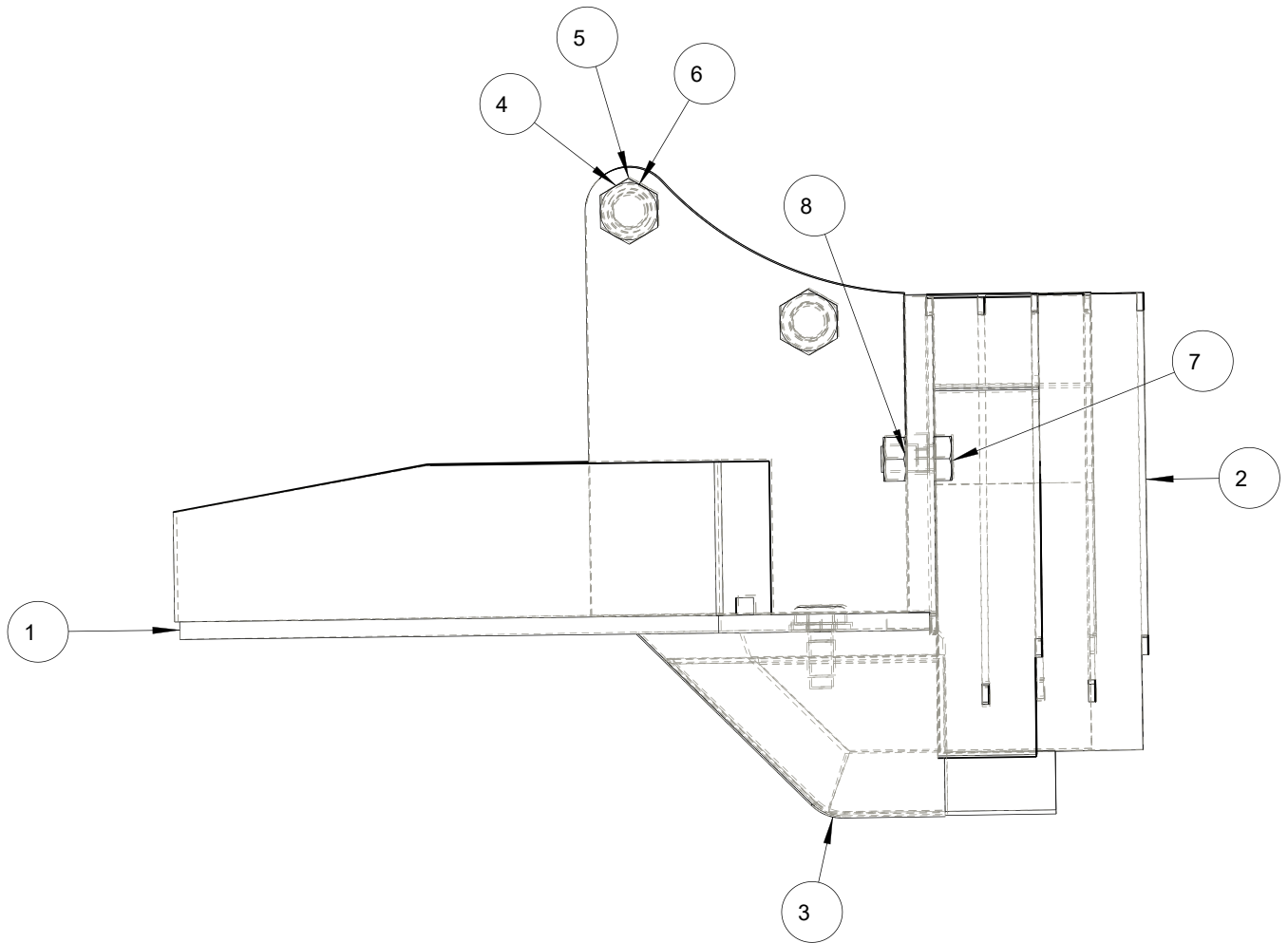
7703432 75mm x 2 LINE SHALLOW FIN COULTER ASSEMBLY (ITEMS 1-8)

7703433 75mm x 3 LINE SHALLOW FIN COULTER ASSEMBLY (ITEMS 1-8)

7403613 - 2 LINE
7403612 - 3 LINE

8010073 - 2 LINE
8010074 - 3 LINE

NUM	QTY	PART NUMBER	DESCRIPTION
1	1	SHW7403611	75 LOLINE COULTER BODY W/A
2	1		75mm 2L LOLINE COULTER CHUTE
3	1		785 COULTER BASE
4	2	SHW2306038	BOLT M8 x 40
5	2	SHW2203007	NUT M8 (UNPLATED)
6	2	SHW6902652	COULTER SCREW SPACER
7	2	SHW2309032	SETSCREW M6 x 12
8	2	SHW2303006	NUT M6



ASSEMBLIES: -

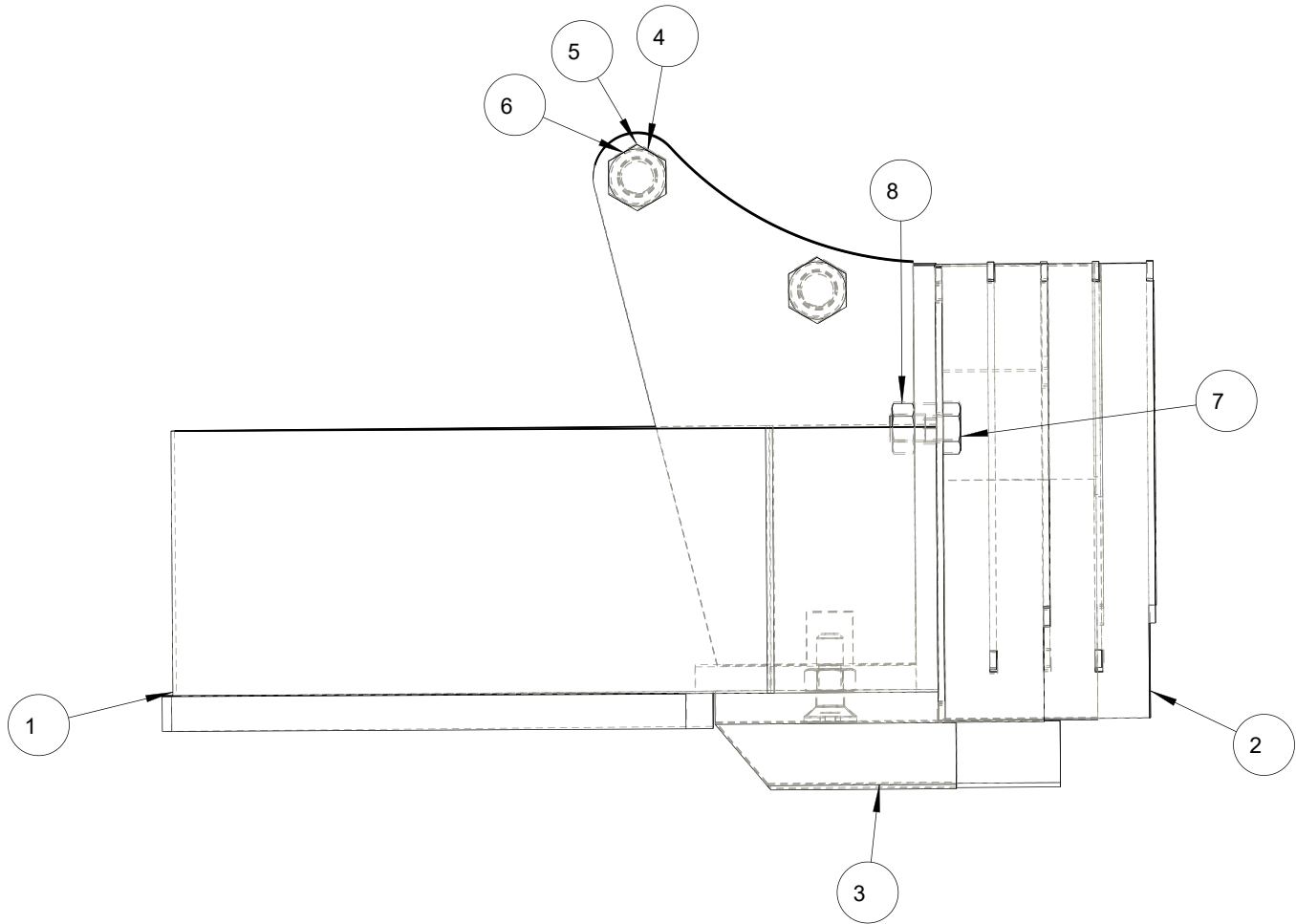
- 7703263 75mm x 2 LINE DEEP FIN COULTER ASSEMBLY (ITEMS 1-8)
- 7703264 75mm x 3 LINE DEEP FIN COULTER ASSEMBLY (ITEMS 1-8)
- 7703267 100mm x 2 LINE DEEP FIN COULTER ASSEMBLY (ITEMS 1-8)
- 7703213 100mm x 3 LINE DEEP FIN COULTER ASSEMBLY (ITEMS 1-8)
- 7703381 125mm x 2 LINE DEEP FIN COULTER ASSEMBLY (ITEMS 1-8)
- 7703382 125mm x 3 LINE DEEP FIN COULTER ASSEMBLY (ITEMS 1-8)
- 7703216 150mm x 3 LINE DEEP FIN COULTER ASSEMBLY (ITEMS 1-8)

NUM	QTY	PART NUMBER	DESCRIPTION
1	1		DF H/L OULTER BODY W/A
2	1		3L DF HYLINE CHUTE W/A
3	1		785 COULTER BASE 3L
4	2	SHW2306038	BOLT M8 x 40
5	2	SHW2203007	NUT M8 (UNPLATED)
6	2	SHW6902652	COULTER SCREW SPACER
7	2	SHW2309032	SETSCREW M6 x 12
8	2	SHW2303006	NUT M6

7403421 - 75mm
7403344 - 100mm
7403515 - 125mm
7403350 - 150mm

7403418 - 75mm 2 LINE
7403417 - 75mm 3 LINE
7403414 - 100mm 2 LINE
7403413 - 100mm 3 LINE
7403513 - 125mm 2 LINE
7403514 - 125mm 3 LINE
7403428 - 150mm 3 LINE

8010063 - 75mm 2 LINE
8010062 - 75mm 3 LINE
8010055 - 100mm 2 LINE
8010054 - 100mm 3 LINE
8010057 - 125mm 2 LINE
8010056 - 125mm 3 LINE
8010067 - 150mm 3 LINE



ASSEMBLIES: -

- 7703271 65mm x 2 LINE SHALLOW FIN COULTER ASSEMBLY (ITEMS 1-8)
- 7703272 65mm x 3 LINE SHALLOW FIN COULTER ASSEMBLY (ITEMS 1-8)
- 7703384 75mm x 2 LINE SHALLOW FIN COULTER ASSEMBLY (ITEMS 1-8)
- 7703387 75mm x 3 LINE SHALLOW FIN COULTER ASSEMBLY (ITEMS 1-8)
- 7703214 100mm x 3 LINE SHALLOW FIN COULTER ASSEMBLY (ITEMS 1-7,9,10)

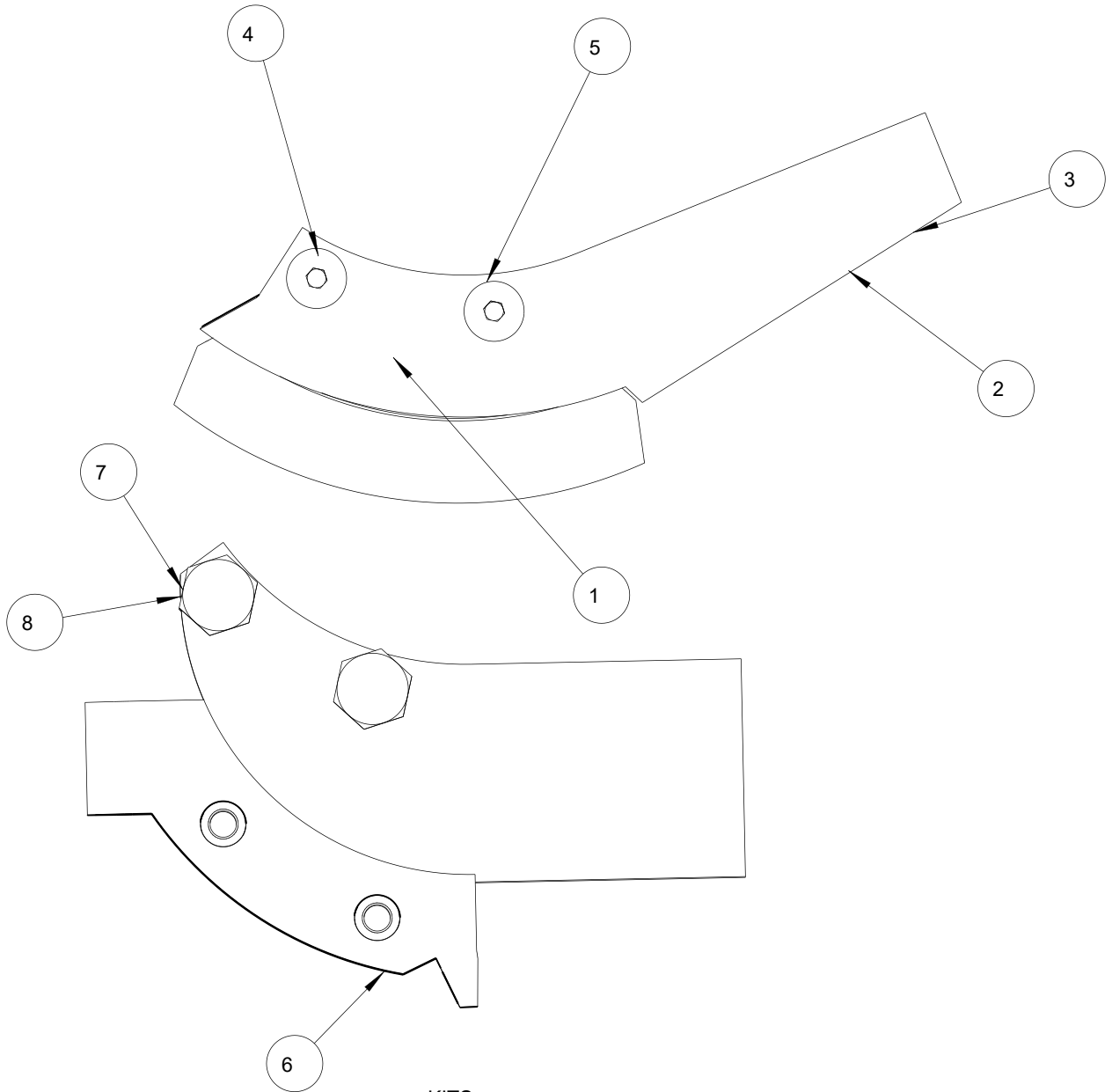
NUM	QTY	PART NUMBER	DESCRIPTION
1	1		SF H/L COULTER BODY W/A
2	1		3L SF HYLINE CHUTE W/A
3	1		COULTER BASE 3L
4	2	SHW2306038	BOLT M8 x 40
5	2	SHW2203007	NUT M8 (UNPLATED)
6	2	SHW6902652	COULTER SCREW SPACER
7	2	SHW2309032	SETScrew M6 x 12
8	2	SHW2303006	NUT M6
9	2	SHW2376047	SOCKET C'SUNK SCREW
10	2	SHW2303006	HEXAGONAL NUT

FOR 100mm, COMPLETE WITH ITEMS 9 AND 10

7403422 - 65mm
7403521 - 75mm
7403346 - 100mm

7403420 - 65mm 2 LINE
7403419 - 65mm 3 LINE
7403418 - 75mm 2 LINE
7403417 - 75mm 3 LINE
7403415 - 100mm 3 LINE

8010048 - 65MM 2 LINE
8010049 - 65mm 3 LINE
8010073 - 75mm 2 LINE
8010074 - 75mm 3 LINE
8010050 - 100mm 3 LINE

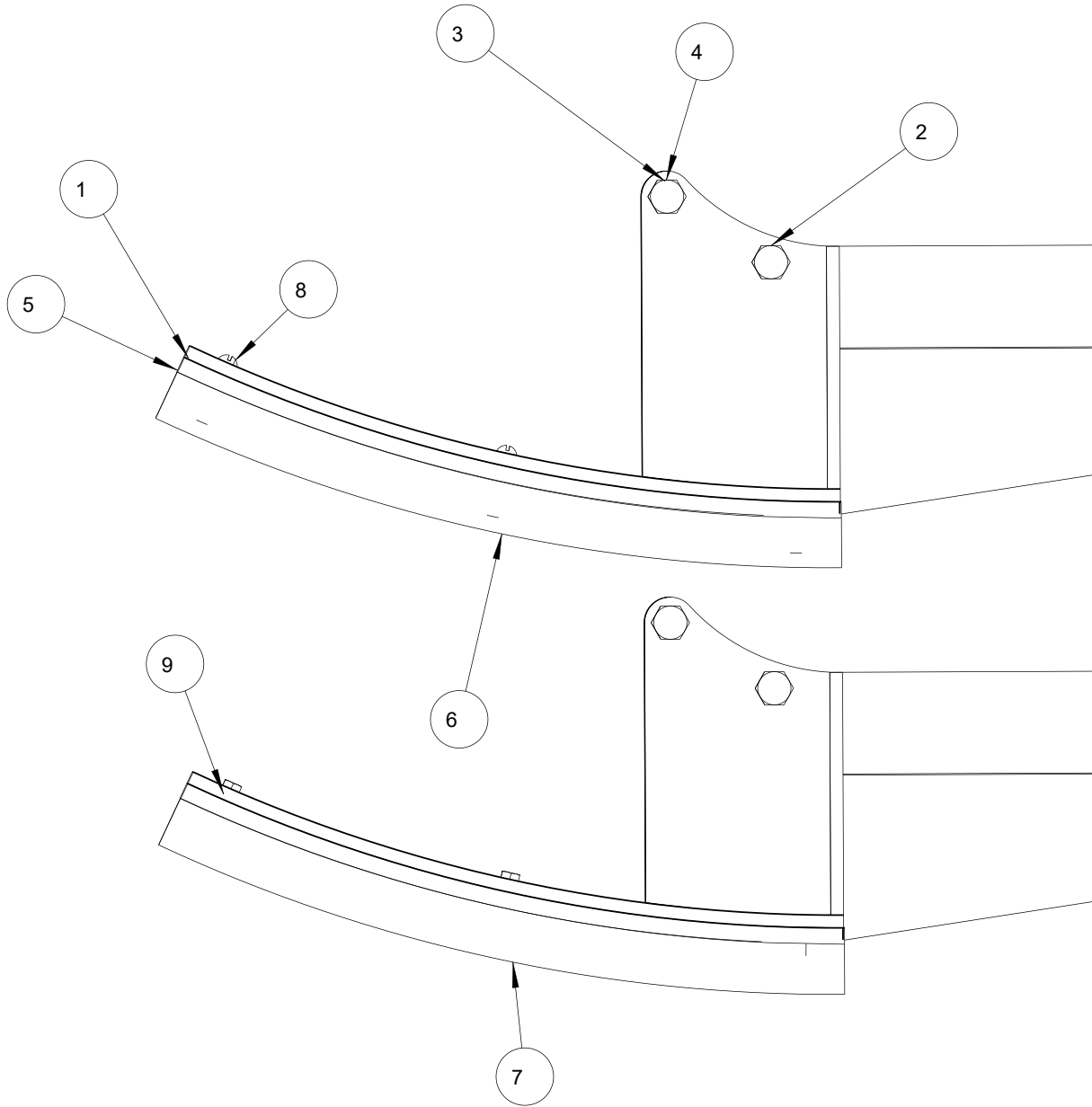


3000495 - CAST IRON
 8010030 - CERAMIC
 8010079 - TEK TIP

KITS:-

- 8002617 COULTER KIT - CAST IRON (ITEMS 1-5)
- 8002550 COULTER KIT - CERAMIC (ITEMS 1-5)
- 8003407 COULTER KIT - TEK TIP (ITEMS 1-5)
- 8003510 HYLINE SINGLE LINE ADAPTOR (ITEMS 6-8)

NUM	QTY	PART NUMBER	DESCRIPTION
1	1		COULTER INSERT
2	1	SHW3210176	COULTER RH SIDE
3	1	SHW3210177	COULTER LH SIDE
4	2	SHW6902351	COULTER SCREW BOSS
5	4	SHW2377079	M8 X 12 SOCKET BUTTON HEAD SCREW
6	1	SHW7404003	SINGLE LINE HYLINE ADAPTOR W/A
7	2	SHW2306097	BOLT M12 x 45
8	2	SHW2303110	M12 NYLOC THIN



ASSEMBLIES: -

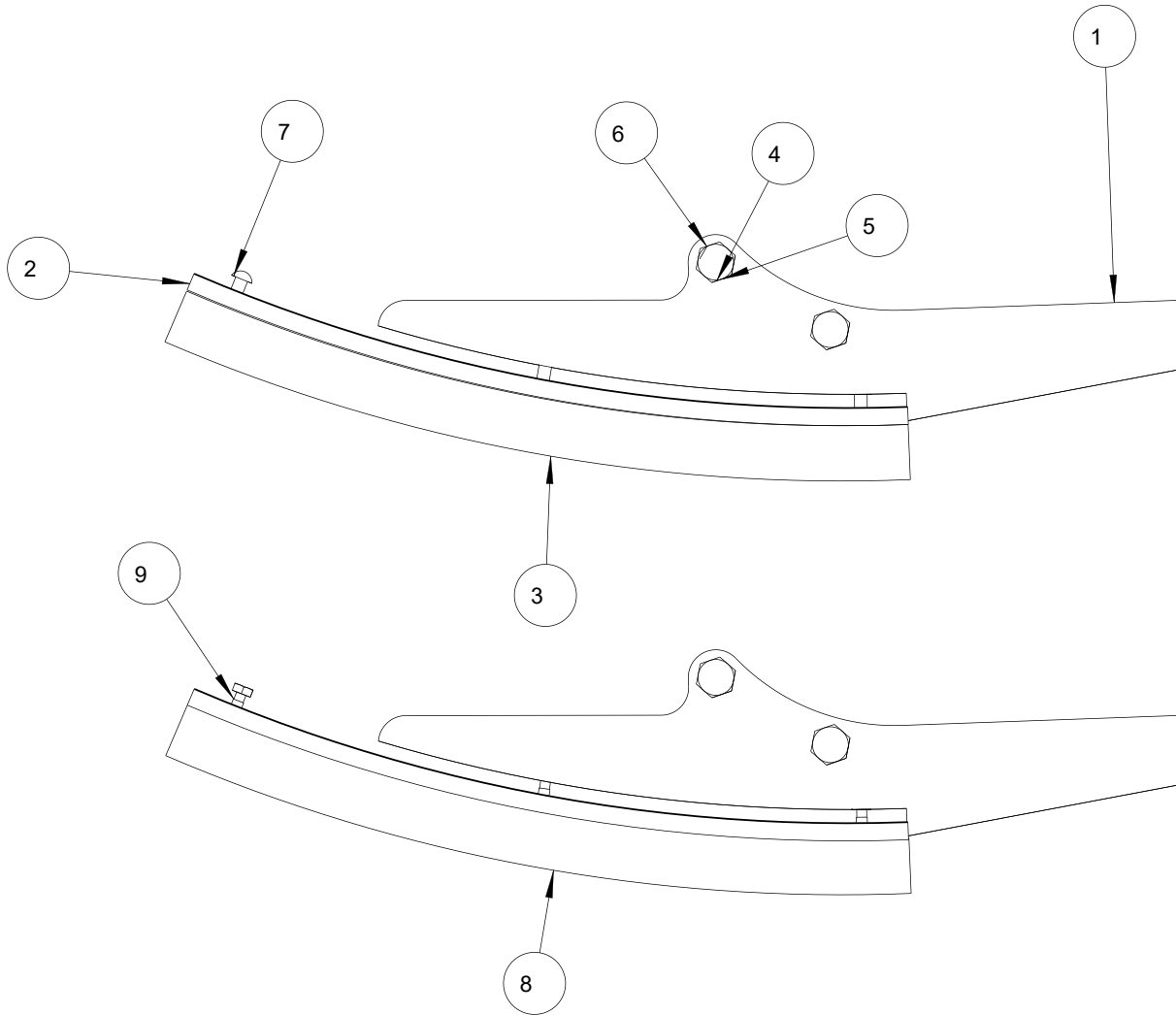
7703504 NON-STICK COULTER ASSEMBLY - PLASTIC (ITEMS 1-6,8)

7703505 NON-STICK COULTER ASSEMBLY - CAST IRON (ITEMS 1-5,7,9)

COMPLETE WITH
ITEM 8

COMPLETE WITH
ITEM 9

NUM	QTY	PART NUMBER	DESCRIPTION
1	2	SHW7403663	SING ELINE HYLINS N.S BODY
2	4	SHW2306038	BOLT M8 x 40
3	4	SHW6902652	COULTER SCREW SPACER
4	4	SHW2203007	NUT M8 (UNPLATED)
5	2	SHW6903186	SINGLE LINE N.S SHOE BASE
6	1	SHW8010075	PLASTIC SHOE RIB
7	1	SHW8010076	CAST IRON SHOE RIB
8	3	SHW2286008	SLOTTED HEAD SCREW
9	3	SHW2309015	SETSCREW M4 x 16



ASSEMBLIES: -

7703307 NON-STICK COULTER ASSEMBLY - PLASTIC (ITEMS 1-7)

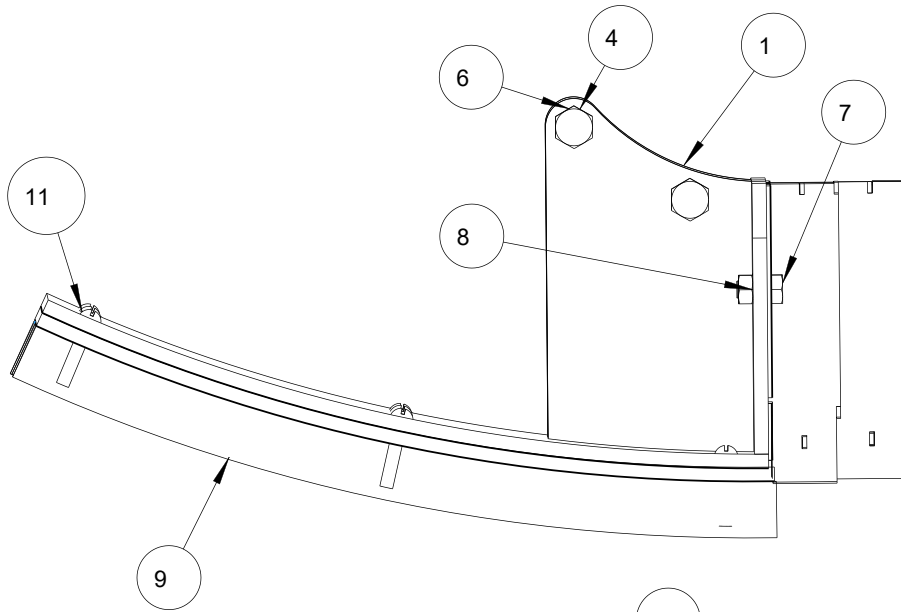
7703503 NON-STICK COULTER ASSEMBLY - CAST IRON (ITEMS 1-4,6,8,9)

COMPLETE WITH
ITEM 7

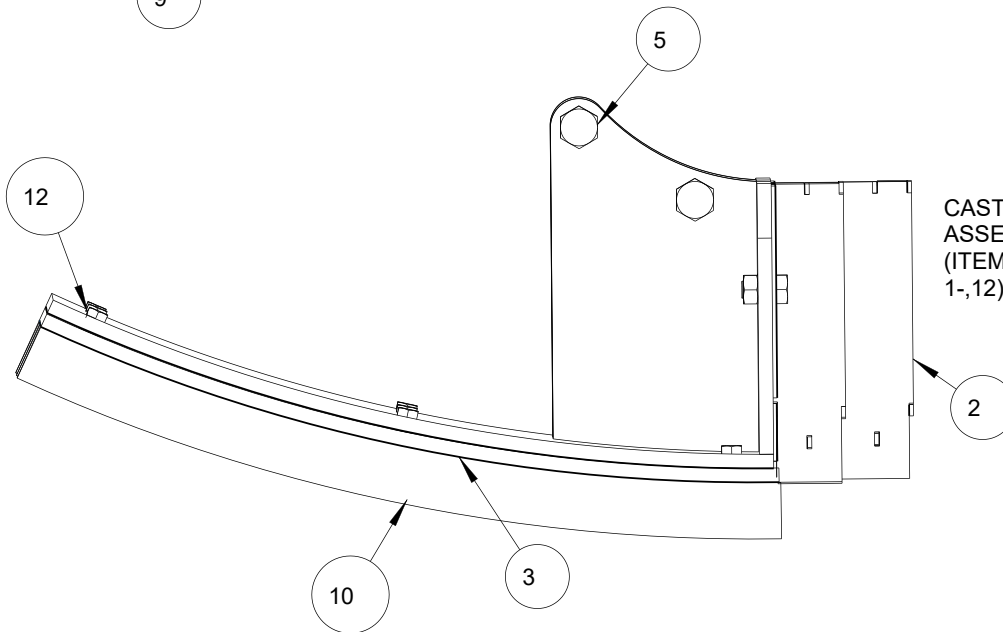
COMPLETE WITH
ITEM 9

NUM	QTY	PART NUMBER	DESCRIPTION
1	2	SHW7403461	SINGLE LINE N.S SHOE BODY W/A
2	2	SHW6903186	SINGLE LINE N.S SHOE BASE
3	1	SHW8010075	PLASTIC SHOE RIB
4	4	SHW2306038	BOLT M8 x 40
5	4	SHW2203007	NUT M8 (UNPLATED)
6	4	SHW6902652	COULTER SCREW SPACER
7	3	SHW2286008	SLOTTED HEAD SCREW
8	1	SHW8010076	CAST IRON SHOE RIB
9	3	SHW2309015	SETSCREW M4 x 16

THREE LINE HYLINE NON-STICK COULTER OPTIONS



PLASTIC ASSEMBLIES - 7703309 - 65mm
 (ITEMS 1-9, 11)
 7703311 - 75mm
 7703715 - 100mm
 7703379 - 125mm
 7703315 - 150mm



CAST IRON ASSEMBLIES - 7703515 - 65mm
 (ITEMS 1-8, 1-12)
 7703517 - 75mm
 7703917 - 100mm
 7703521 - 125mm
 7703523 - 150mm

NUM	QTY	PART NUMBER	DESCRIPTION
1	2		3 LINE SHOE BODY
2	2		3 HYLINE CHUTE
3	2		SHOE BASEPLATE
4	4	SHW2306038	BOLT M8 x 40
5	4	SHW2203007	NUT M8 (UNPLATED)
6	4	SHW6902652	COULTER SCREW SPACER
7	4	SHW2309032	SETSCREW M6 x 12
8	4	SHW2303006	NUT M6
9	3	SHW8010075	PLASTIC SHOE RIB
10	3	SHW8010076	CAST IRON SHOE RIB
11	9	SHW2286008	SLOTTED HEAD SCREW
12	9	SHW2309015	SETSCREW M4 x 16

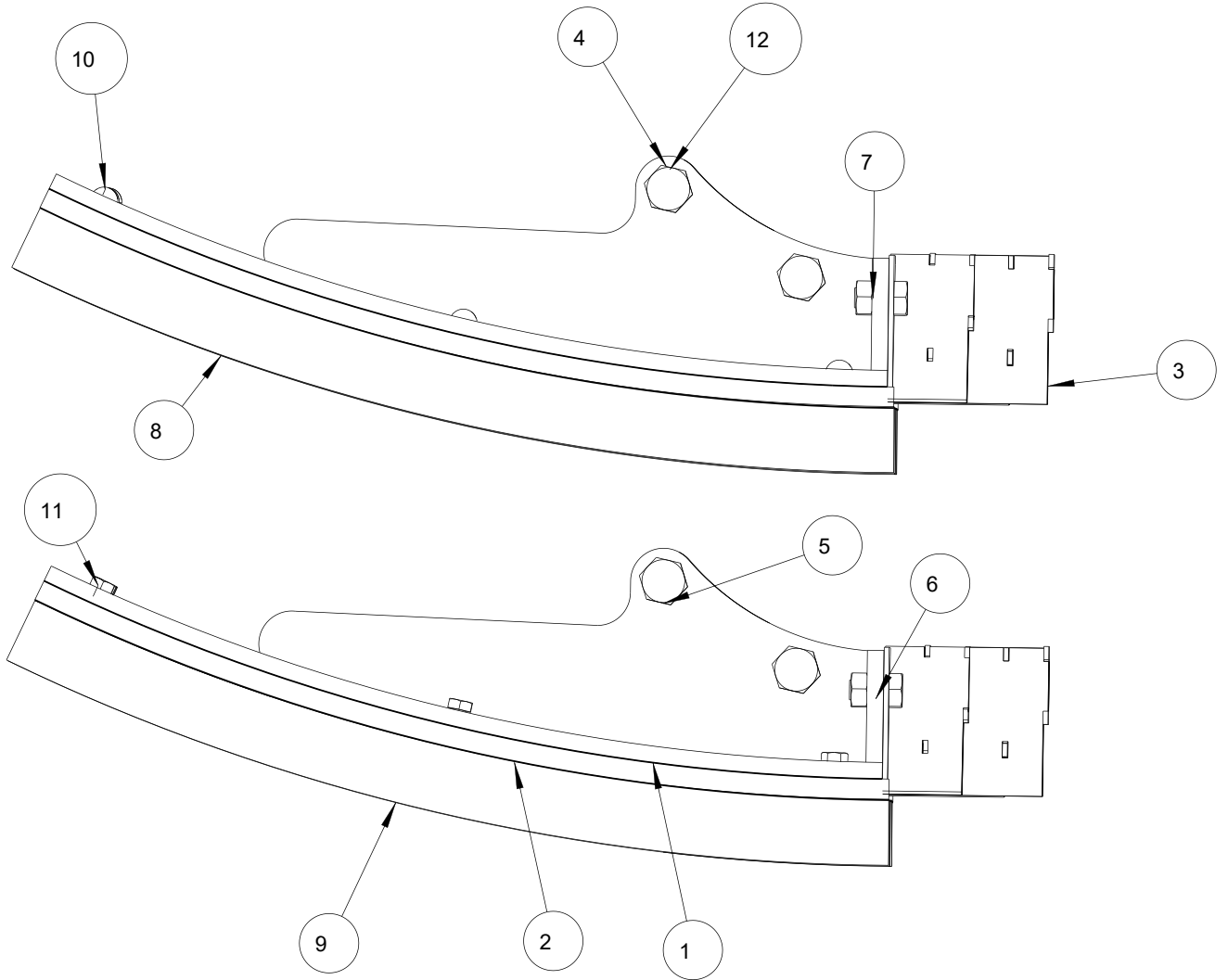
7403462 - 65mm
 7403463 - 75mm
 7403897 - 100mm
 7403516 - 125mm
 7403465 - 150mm

7403419 - 65mm
 7403417 - 75mm
 7403413 - 100mm
 7403514 - 125mm
 7403428 - 150mm

6903188 - 65mm
 6903190 - 75mm
 6903548 - 100mm
 6903193 - 125mm
 6903195 - 150mm

COMPLETE WITH ITEM 11

COMPLETE WITH ITEM 12



ASSEMBLIES: -

7703512 75mm x 3 LINE NON-STICK COULTER - PLASTIC (ITEMS 1-8,10,12)

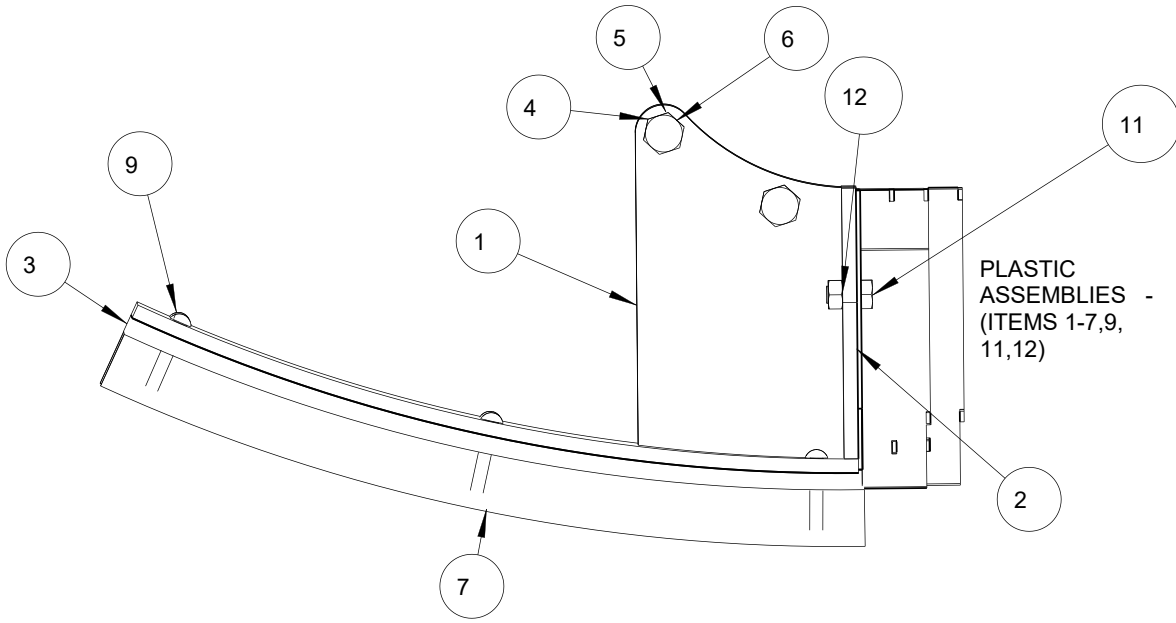
7703513 75mm x 3 LINE NOON-STICK COULTER- CAST IRON (ITEMS 1-7,9,11,12)

NUM	QTY	PART NUMBER	DESCRIPTION
1	2	SHW7403664	75mm NS LOLINE SHOE BODY W/A
2	2	SHW6903190	75mm 3 LINE N.S SHOE BASE
3	2	SHW7403612	75mm 3L LOLINE COULTER CHUTE
4	4	SHW2306038	BOLT M8 x 40
5	4	SHW2203007	NUT M8 (UNPLATED)
6	4	SHW2309032	SETSCREW M6 x 12
7	4	SHW2303006	NUT M6
8	3	SHW8010075	PLASTIC SHOE RIB
9	3	SHW8010076	CAST IRON SHOE RIB
10	9	SHW2286008	SLOTTED HEAD SCREW
11	9	SHW2309015	SETSCREW M4 x 16
12	4	SHW6902652	COULTER SCREW SPACER

COMPLETE WITH
ITEM 10

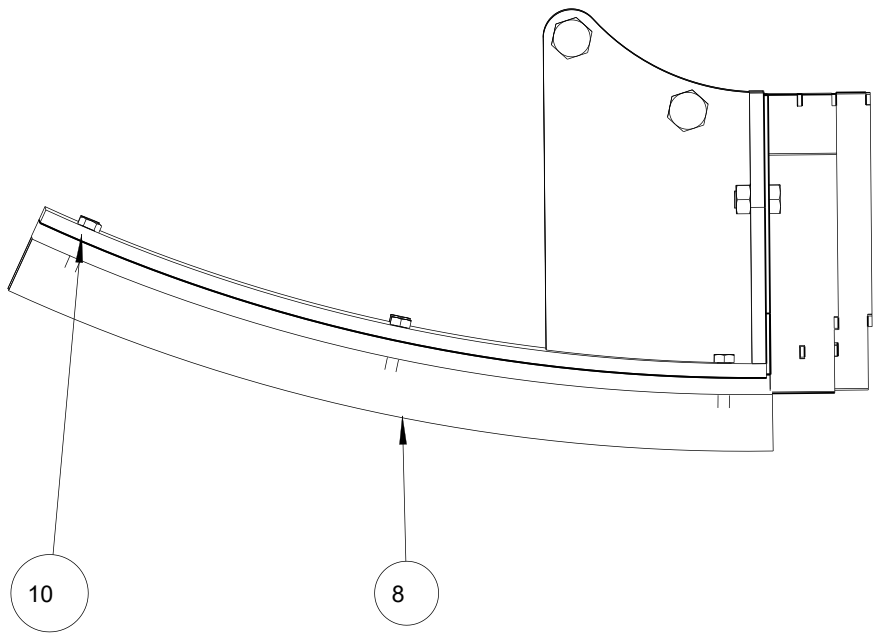
COMPLETE WITH
ITEM 11

TWO LINE HYLINE NON-STICK COULTER OPTIONS



PLASTIC ASSEMBLIES -
 (ITEMS 1-7,9, 11,12)

- 7703308 - 65mm
- 7703310 - 75mm
- 7703312 - 100mm
- 7703377 - 125mm
- 7703314 - 150mm



CAST IRON ASSEMBLIES -
 ITEMS (1-6,8, 10-12)

- 7703514 - 65mm
- 7703516 - 75mm
- 7703518 - 100mm
- 7703520 - 125mm
- 7703522 - 150mm

COMPLETE WITH ITEM 9

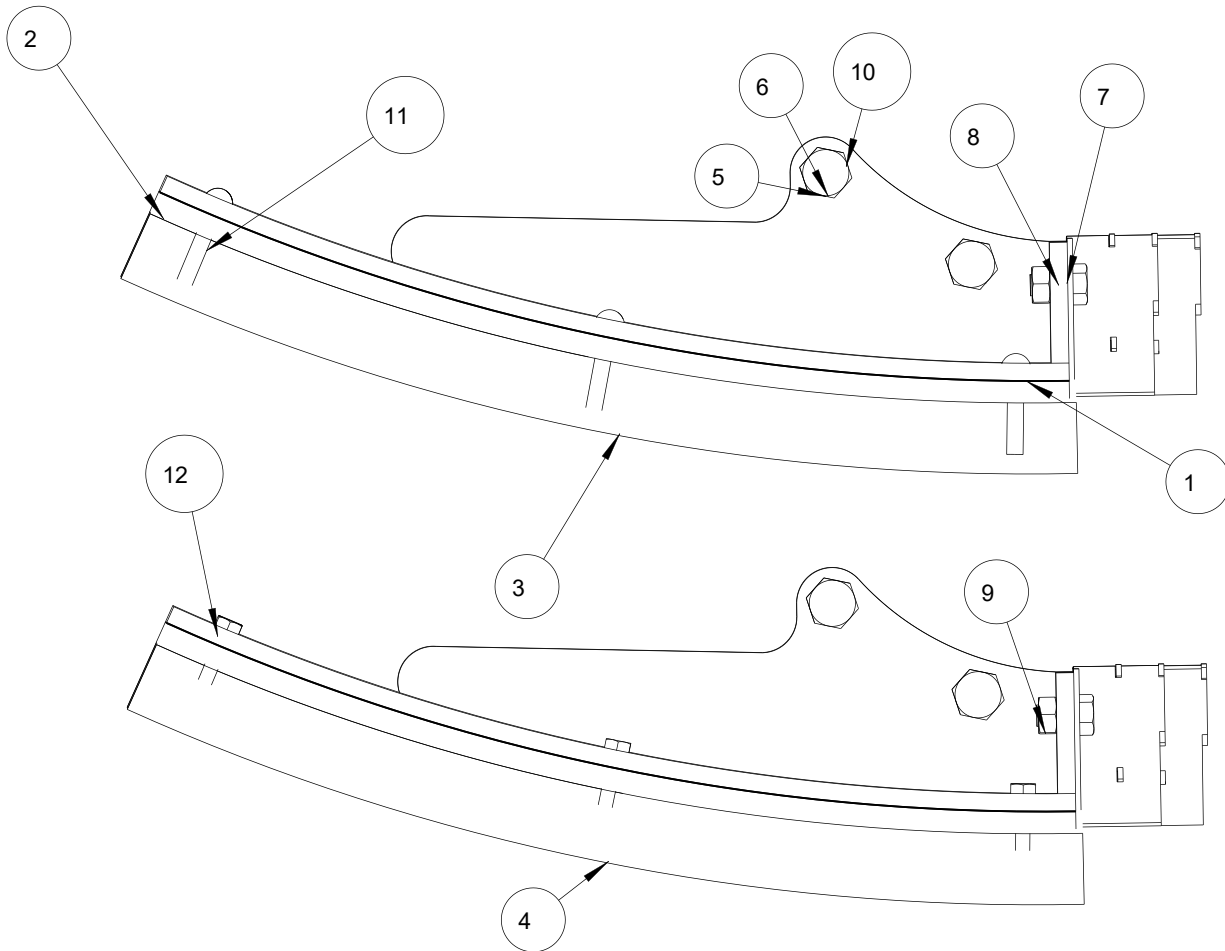
COMPLETE WITH ITEM 10

NUM	QTY	PART NUMBER	DESCRIPTION
1	2		N.S SHOE BODY
2	2		x 2L DF HYLINE CHUTE - W/A
3	2		2 LINE NS SHOE BASE
4	4	SHW2306038	BOLT M8 x 40
5	4	SHW2203007	NUT M8 (UNPLATED)
6	4	SHW6902652	COULTER SCREW SPACER
7	2	SHW8010075	PLASTIC SHOE RIB
8	2	SHW8010076	CAST IRON SHOE RIB
9	6	SHW2286008	SLOTTED HEAD SCREW
10	6	SHW2309015	SETSCREW M4 x 16
11	4	SHW2309032	SETSCREW M6 x 12
12	4	SHW2303006	NUT M6

7403462 - 65mm
 7403463 - 75mm
 7403464 - 100mm
 7403516 - 125mm
 7403465 - 150mm

7403420 - 65mm
 7403418 - 75mm
 7403414 - 100mm
 7403513 - 125mm
 7403469 - 150mm

6903187 - 65mm
 6903189 - 75mm
 6903191 - 100mm
 6903192 - 125mm
 6903194 - 150mm



ASSEMBLIES: -

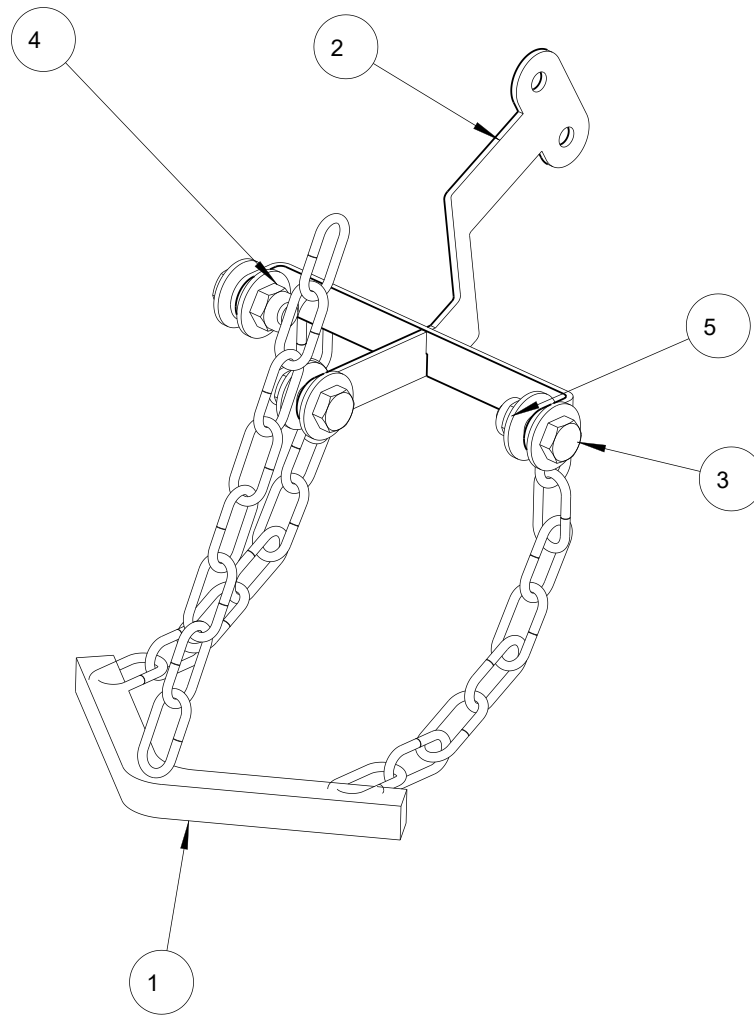
7703510 75mm x 2 LINE NON-STICK COULTER - PLASTIC (ITEMS 1-3,5-11)

7703511 75mm x 2 LINE NON-STICK COULTER - CAST IRON (ITEMS 1,2,4-10,12)

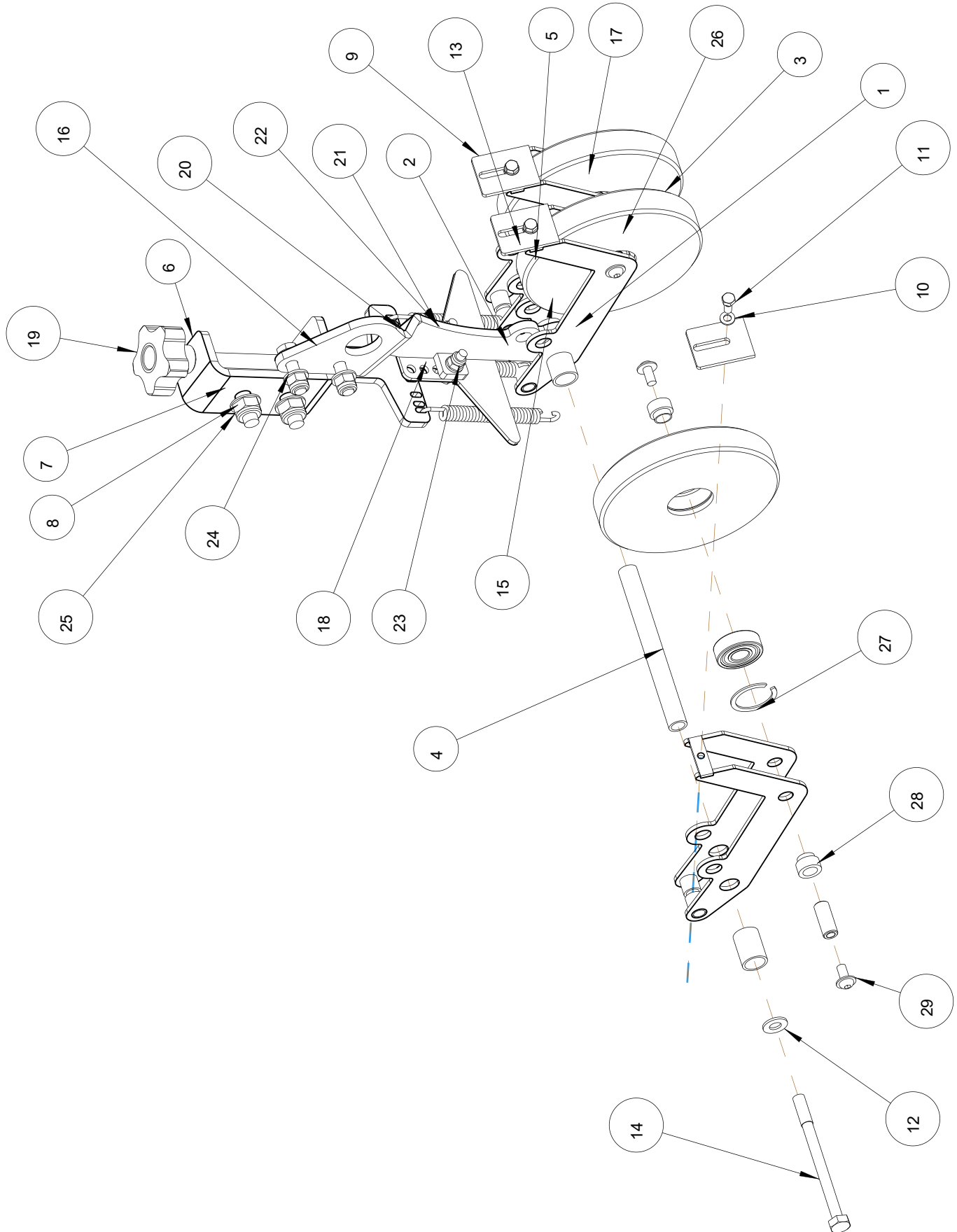
COMPLETE WITH
ITEM 11

COMPLETE WITH
ITEM 12

NUM	QTY	PART NUMBER	DESCRIPTION
1	2	SHW7403664	75mm NS LOLINE SHOE BODY W/A
2	2		2 LINE NS SHOE BASE
3	2	SHW8010075	PLASTIC SHOE RIB
4	2	SHW8010076	CAST IRON SHOE RIB
5	4	SHW2306038	BOLT M8 x 40
6	4	SHW2203007	NUT M8 (UNPLATED)
7	2		75mm 2L LOLINE COULTER CHUTE
8	4	SHW2309032	SETSCREW M6 x 12
9	4	SHW2303006	NUT M6
10	4	SHW6902652	COULTER SCREW SPACER
11	6	SHW2286008	SLOTTED HEAD SCREW
12	6	SHW2309015	SETSCREW M4 x 16



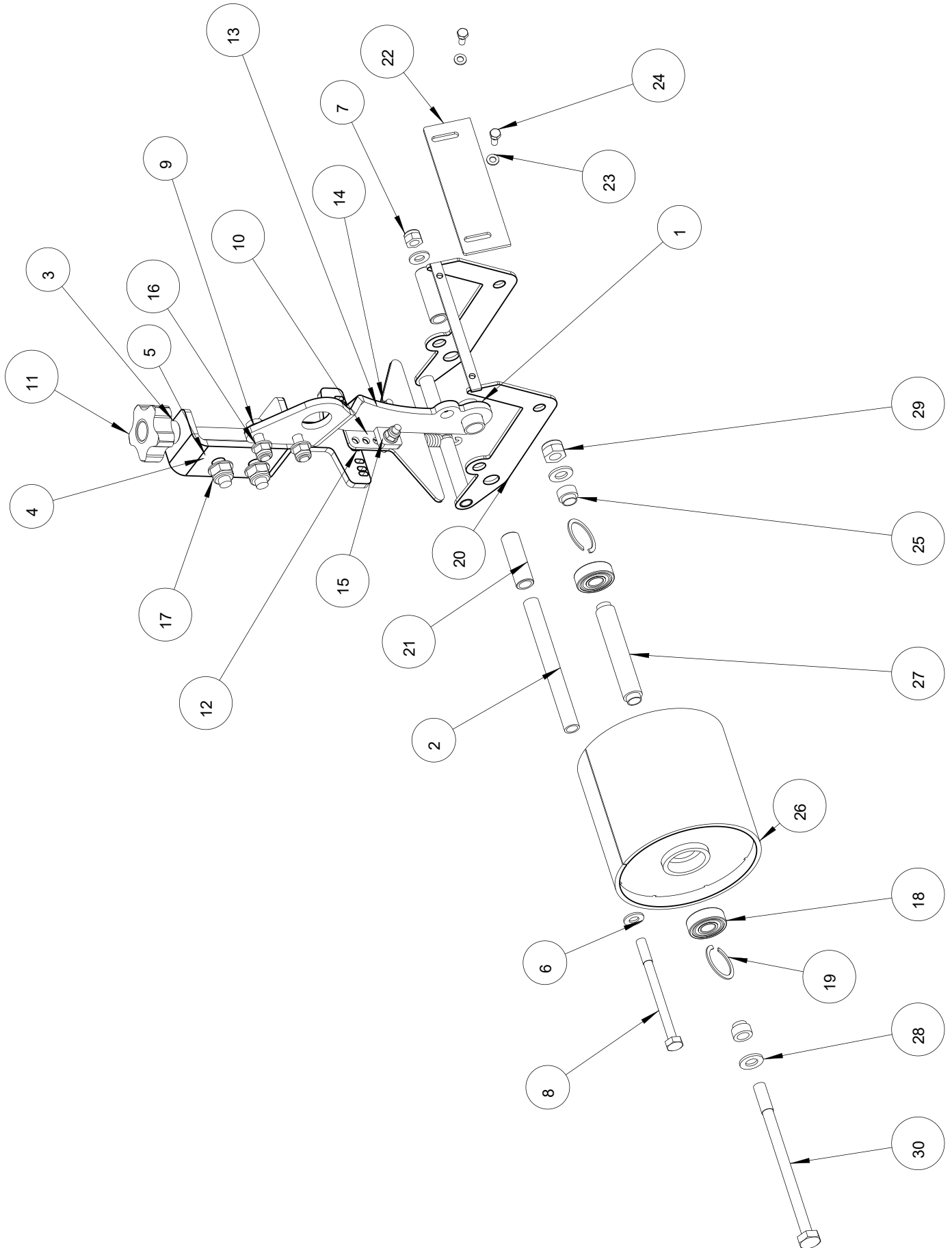
NUM	QTY	PART NUMBER	DESCRIPTION
1	1	SHW7403740	DRAG COVERER 3 CHAIN
2	1	S74-00076	PA 3 CHAIN DRAG COVERER W/A
3	6	SHW2311370	M10 FORM G
4	3	SHW2303093	M10 NYLOC NUT
5	3	SHW2309063	SETSCREW M10 x 30



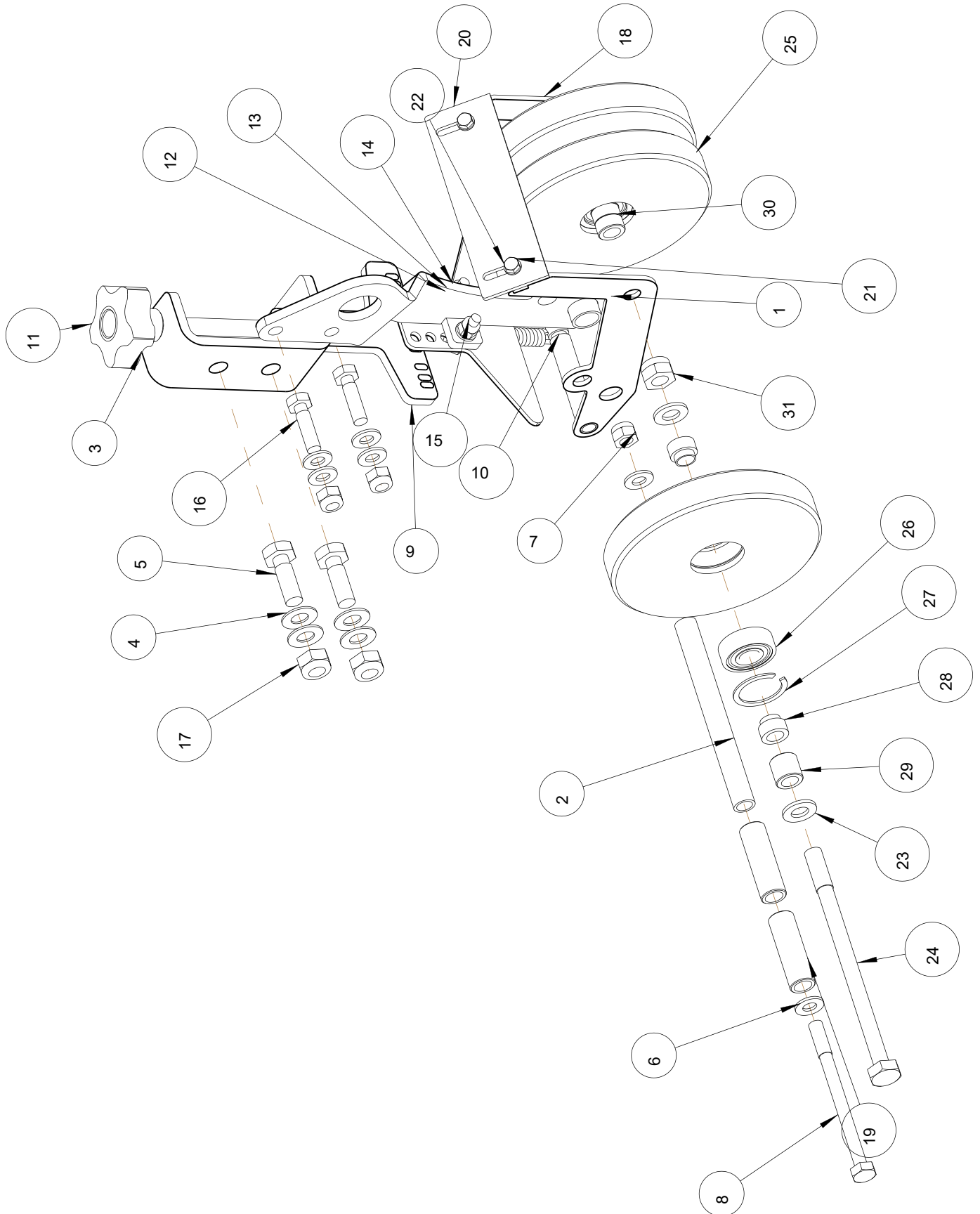
NUM	QTY	PART NUMBER	DESCRIPTION
1	1	S74-00019	PRESS WHEEL PIVOT W/A
2	3	S74-00020	PA PRESS WHEEL MOUNTING W/A
3	3	S57-00001	PRESS WHEEL 125mm DIA 10mm
4	1	S69-00013	BOSS, 75mm PRESS WHEEL SPACER
5	2	S72-00043	BOSS, PRESS WHEEL CENTRE FIXING
6	1	S69-00017	PRESSING, PRESS WHEEL ADJUSTER
7	4	SHW2311112	M10 FORM B
8	2	SHW2309063	SETSCREW M10 x 30
9	3	S69-00025	PROFILE, PRESS WHEEL SCRAPER
10	3	SHW2310111	M5 FORM A
11	3	SHW2309022	SETSCREW M5 x 12
12	6	SHW2311089	M8 FORM A
13	3	SHW2303092	M8 NYLOC NUT
14	1	SHW2306048	BOLT M8 x 100
15	2	S69-00014	BOSS, SPACER 16.5mm 10.5mm DIA
16	1	S74-00018	PA PRESS WHEEL ADJUSTER W/A
17	3	S69-00015	PIN, PRESS WHEEL 12mm
18	3	SHW2702002	TENSION SPRING
19	1	S64-00010	LOBE KNOB M10
20	1	S69-00019	PRESSING, PRESS WHEEL LIMIT
21	4	SHW2311088	M6 FORM A
22	2	SHW2303091	M6 NYLOC NUT
23	2	SHW2309035	SETSCREW M6 x 25
24	2	SHW2309049	SETSCREW M8 x 30
25	2	SHW2303109	M10 NYLOC THIN
26	3	SHW1901101	6201-2RS BRG
27	3	SHW2217006	32 x 1.2 EXT CIRCLIP
28	6	S69-00041	BOSS PRESS WHEEL BEARING SPACER
29	6	S23-00002	M6x12 FLANGED DOME HEAD

PA 75mm SINGLE PRESS WHEEL

S77-00046

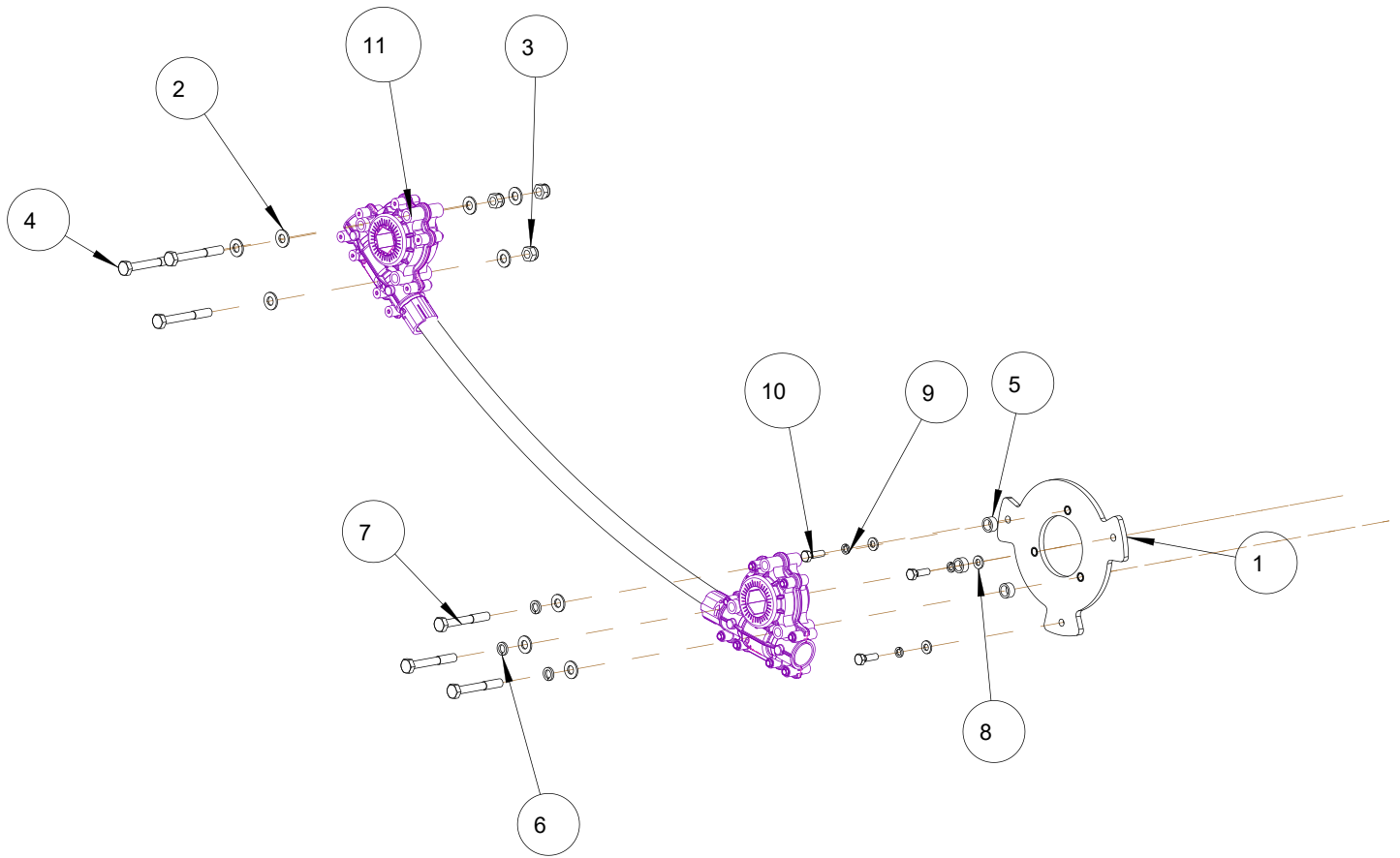


NUM	QTY	PART NUMBER	DESCRIPTION
1	1	S74-00019	PRESS WHEEL PIVOT W/A
2	1	S69-00013	BOSS, 75mm PRESS WHEEL SPACER
3	1	S69-00017	PRESSING, PRESS WHEEL ADJUSTER
4	4	SHW2311112	M10 FORM B
5	2	SHW2309063	SETSCREW M10 x 30
6	6	SHW2311089	M8 FORM A
7	3	SHW2303092	M8 NYLOC NUT
8	1	SHW2306048	BOLT M8 x 100
9	1	S74-00018	PA PRESS WHEEL ADJUSTER W/A
10	1	SHW2702002	TENSION SPRING
11	1	S64-00010	LOBE KNOB M10
12	1	S69-00019	PRESSING, PRESS WHEEL LIMIT
13	4	SHW2311088	M6 FORM A
14	2	SHW2303091	M6 NYLOC NUT
15	2	SHW2309035	SETSCREW M6 x 25
16	2	SHW2309049	SETSCREW M8 x 30
17	2	SHW2303109	M10 NYLOC THIN
18	2	SHW1901101	6201-2RS BRG
19	2	SHW2217006	32 x 1.2 EXT CIRCLIP
20	1	S74-00033	PW MOUNT 115mm W/A
21	2	S69-00048	BOSS PW PIVOT SPACER 115
22	1	S69-00049	PROFILE 115 PW SCRAPER
23	2	SHW2310111	M5 FORM A
24	2	SHW2309022	SETSCREW M5 x 12
25	2	S69-00041	BOSS PRESS WHEEL BEARING SPACER
26	1	S74-00032	PRESS WHEEL SS 115mm
27	1	S69-00047	BOSS PW SPACER 115
28	2	SHW2311090	M10 FORM A
29	1	SHW2303093	M10 NYLOC NUT
30	1	SHW2306081	BOLT M10 x 150



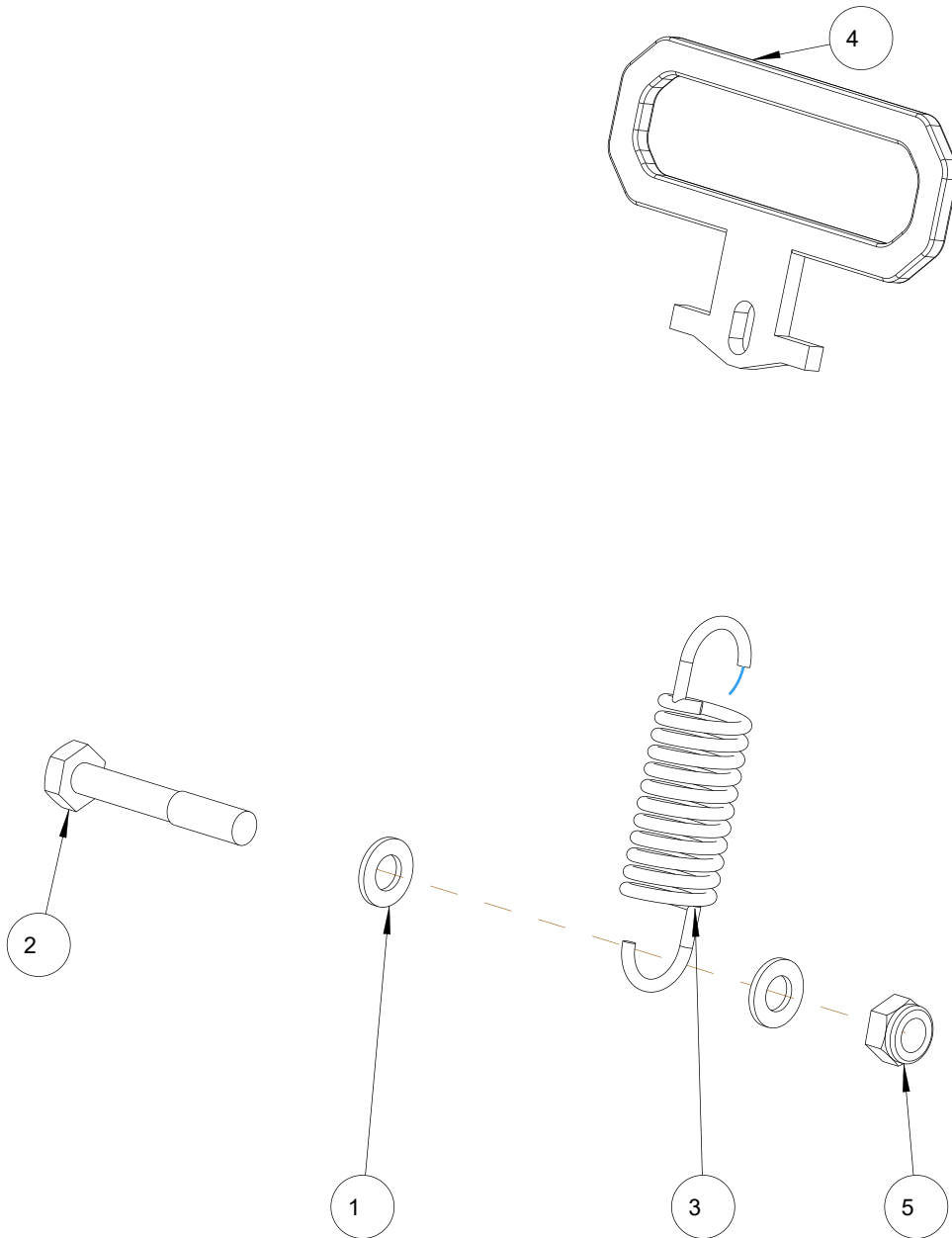
S77-00040

NUM	QTY	PART NUMBER	DESCRIPTION
1	1	S74-00019	PRESS WHEEL PIVOT W/A
2	1	S69-00013	BOSS, 75mm PRESS WHEEL SPACER
3	1	S69-00017	PRESSING, PRESS WHEEL ADJUSTER
4	4	SHW2311112	M10 FORM B
5	2	SHW2309063	SETSCREW M10 x 30
6	6	SHW2311089	M8 FORM A
7	3	SHW2303092	M8 NYLOC NUT
8	1	SHW2306048	BOLT M8 x 100
9	1	S74-00018	PA PRESS WHEEL ADJUSTER W/A
10	1	SHW2702002	TENSION SPRING
11	1	S64-00010	LOBE KNOB M10
12	1	S69-00019	PRESSING, PRESS WHEEL LIMIT
13	4	SHW2311088	M6 FORM A
14	2	SHW2303091	M6 NYLOC NUT
15	2	SHW2309035	SETSCREW M6 x 25
16	2	SHW2309049	SETSCREW M8 x 30
17	2	SHW2303109	M10 NYLOC THIN
18	1	S74-00033	PW MOUNT 115mm W/A
19	2	S69-00048	BOSS PW PIVOT SPACER 115
20	1	S69-00049	PROFILE 115 PW SCRAPER
21	2	SHW2310111	M5 FORM A
22	2	SHW2309022	SETSCREW M5 x 12
23	2	SHW2311090	M10 FORM A
24	1	SHW2306081	BOLT M10 x 150
25	3	S57-00001	PRESS WHEEL 125mm DIA 10mm
26	3	SHW1901101	6201-2RS BRG
27	3	SHW2217006	32 x 1.2 EXT CIRCLIP
28	6	S69-00041	BOSS PRESS WHEEL BEARING SPACER
29	2	S69-00073	BOSS, 16ODX10IDX15LG
30	2	S69-00072	BOSS, 16ODX10IDX8LG
31	1	SHW2303093	M10 NYLOC NUT

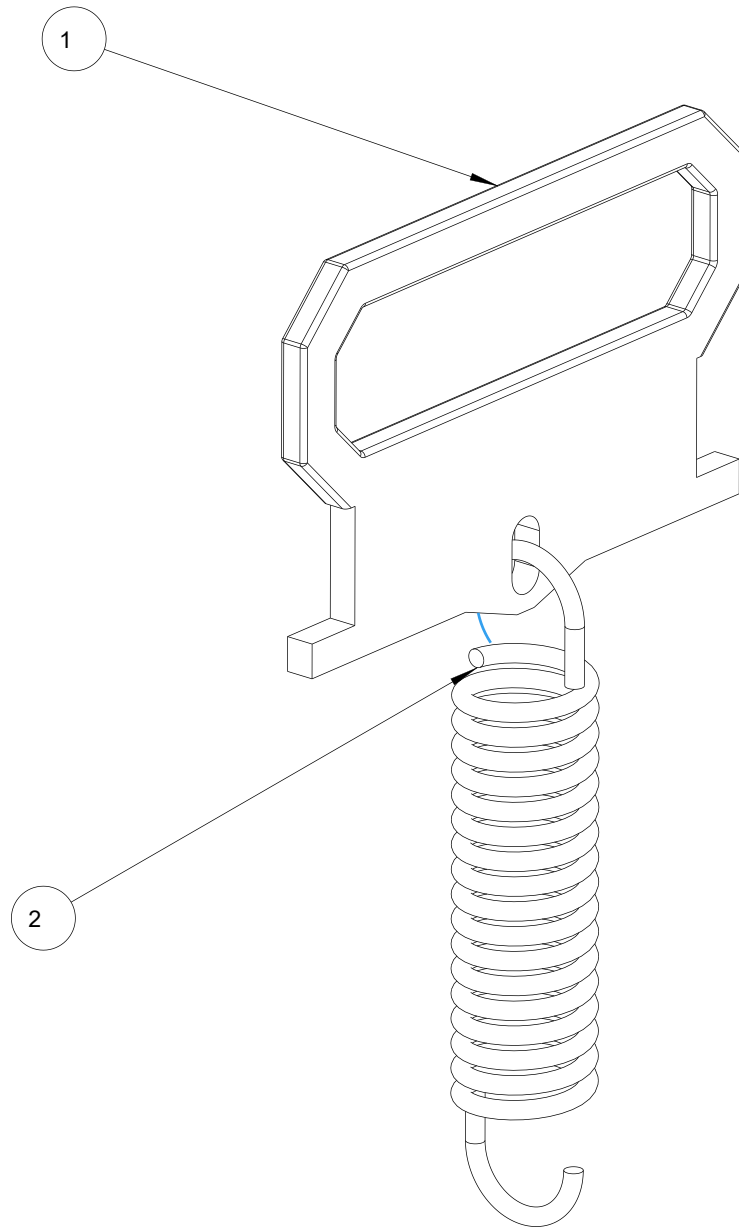


NUM	QTY	PART NUMBER	DESCRIPTION
1	1	S69-00029	PROFILE, FLEXIDRIVE MOUNT
2	9	SHW2311089	M8 FORM A
3	3	SHW2303092	M8 NYLOC NUT
4	3	SHW2306043	BOLT M8 x 65
5	3	SHW6902658	ARM COVERER SPACER
6	3	SHW2311215	SPRING WASHER M8
7	3	SHW2306042	BOLT M8 x 60
8	3	SHW2311088	M6 FORM A
9	3	SHW2311214	SPRING WASHER M6
10	3	SHW2209034	SETSCREW M6 x 20
11	1	S64-00025	FLEXIDRIVE 642mm 1:1

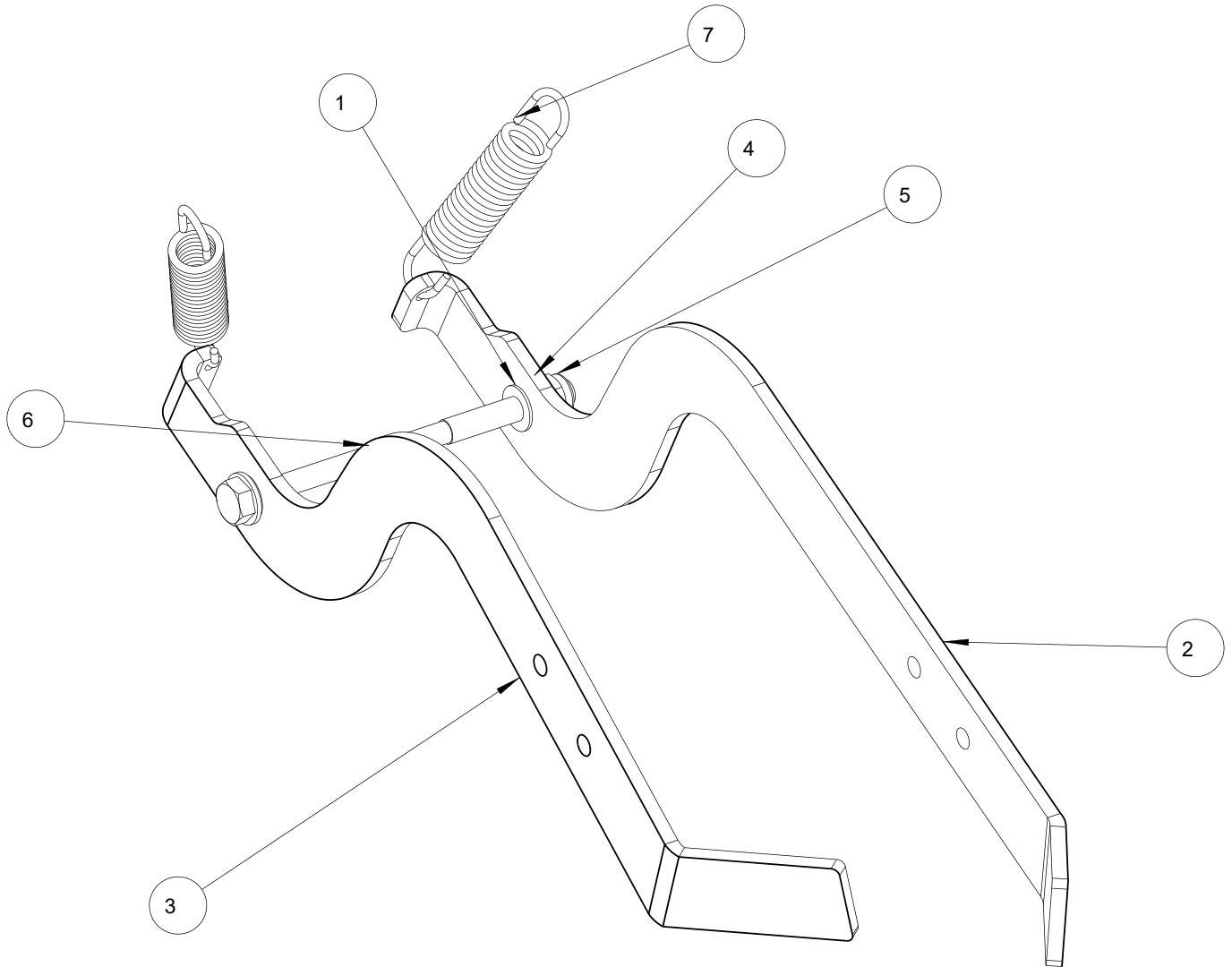




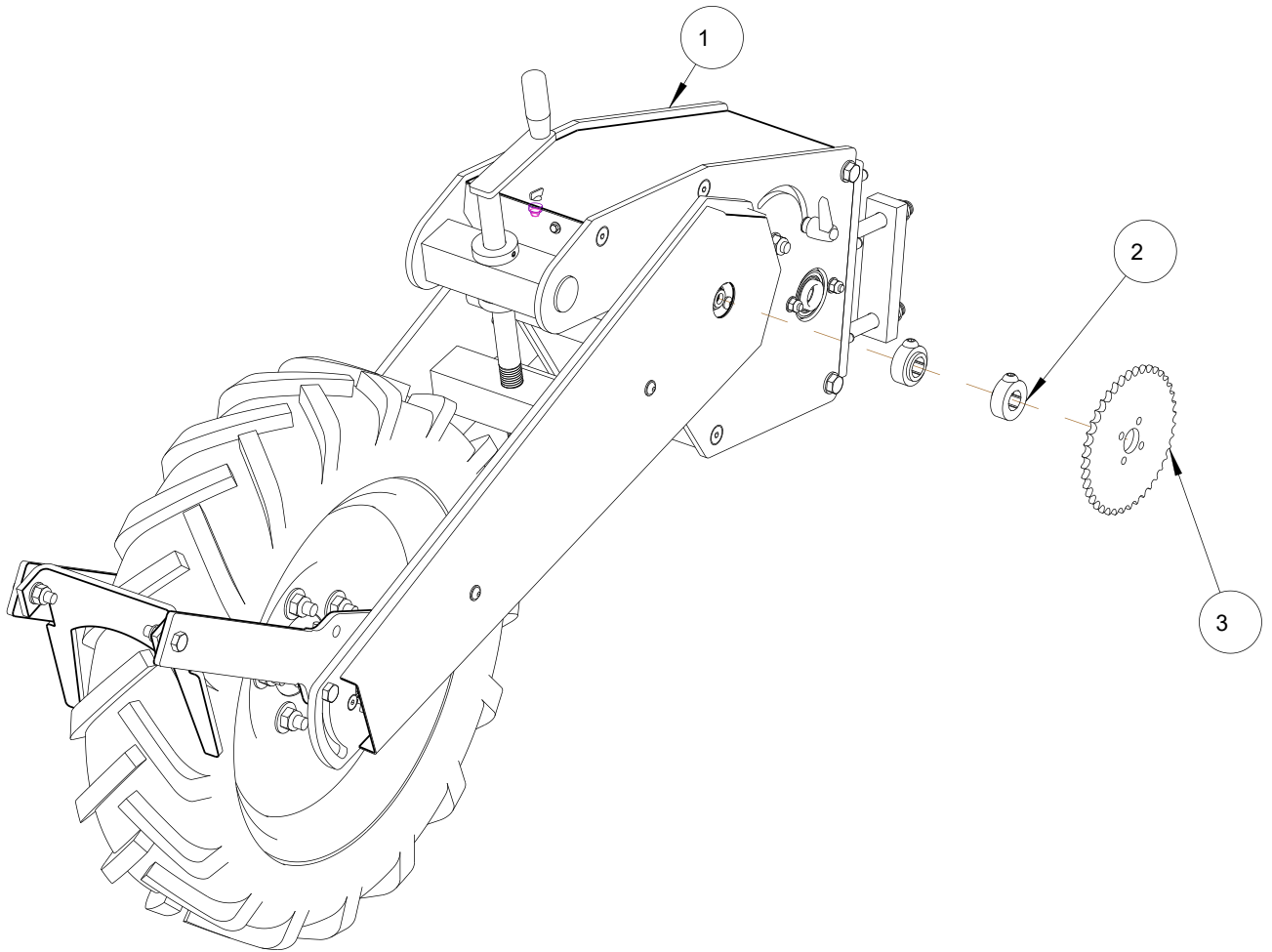
NUM	QTY	PART NUMBER	DESCRIPTION
1	2	SHW2311090	M10 FORM A
2	1	SHW2306071	BOLT M10 x 65
3	1	S27-00001	EXTENSION SPRING 80mm
4	1	S69-00024	PROFILE, PARALLEL ARM HANDLE
5	1	SHW2303109	M10 NYLOC THIN



NUM	QTY	PART NUMBER	DESCRIPTION
1	1	S69-00026	PROFILE, REAR WHEEL DOWNFORCE
2	1	S27-00002	EXTENSION SPRING 125mm



NUM	QTY	PART NUMBER	DESCRIPTION
1	4	S20-00005	GFM-0810-03 FLANGE BUSH
2	1	S69-00079	PROFILE PA ARM COVERER RH
3	1	S69-00078	PROFILE PA ARM COVERER LH
4	2	SHW2311089	M8 FORM A
5	1	SHW2303092	M8 NYLOC NUT
6	1	SHW2306048	BOLT M8 x 100
7	2	SHW2702002	TENSION SPRING

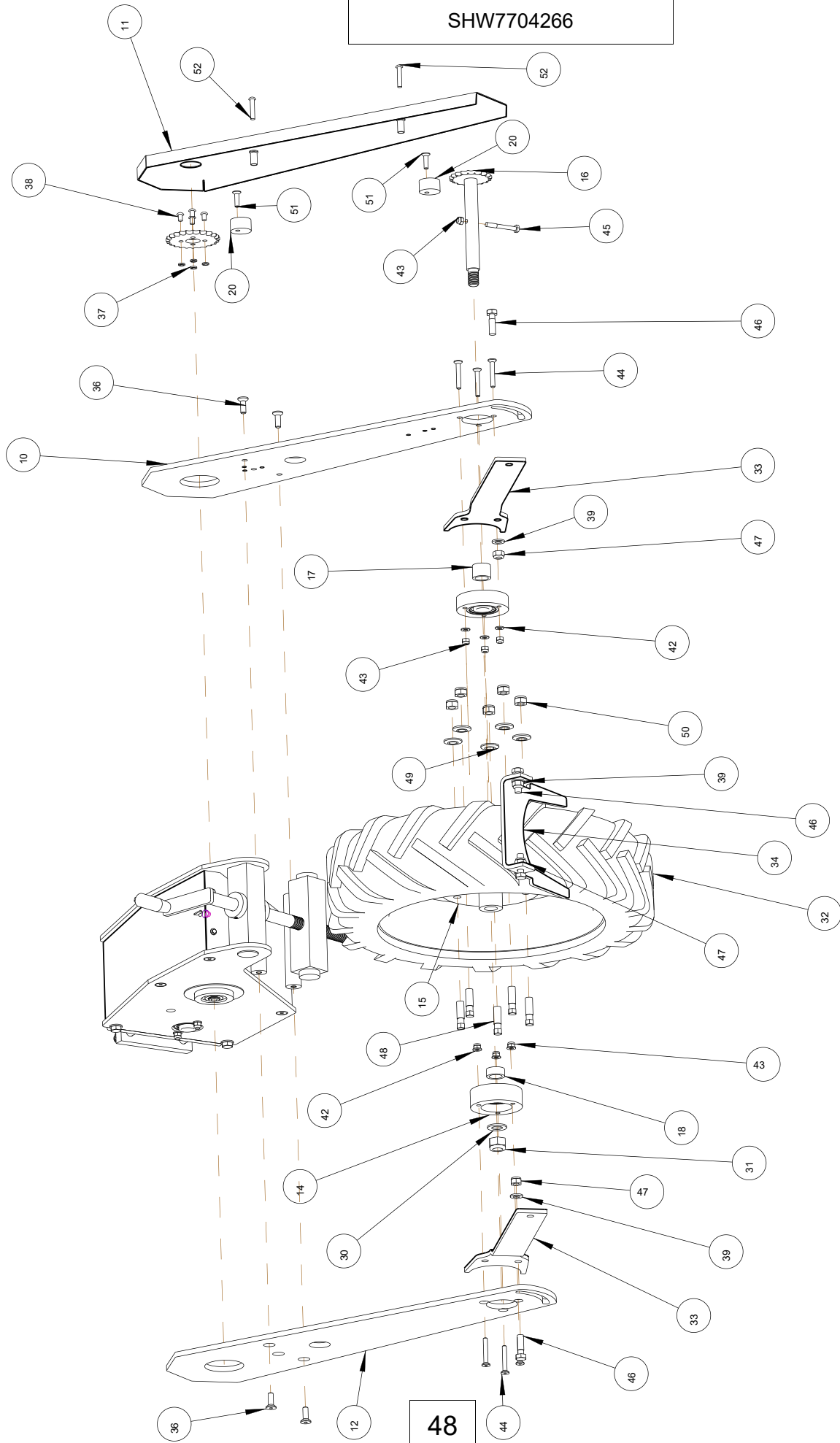


NUM	QTY	PART NUMBER	DESCRIPTION
1	1	SHW7704266	ADJ DRIVE LWHEEL 100TB
2	2	SHW7703757	LOCKING COLLAR - ASSY
3	1	SHW1708065	40T PRIMARY DRIVEN SPROCKET
	1	SHW1808065	1/2P CON LINK SUGIYAMA
	1	SHW1808086	1/2P CHAIN-137P SUGIYAMA SBR
	1	SHW6406390	S/A LAB.-STAR GEAR SETTING-24
	1	SHW6406391	S/A LAB.-STAR GEAR SETTING-40

ADJ DRIVE LWHEEL 100TB



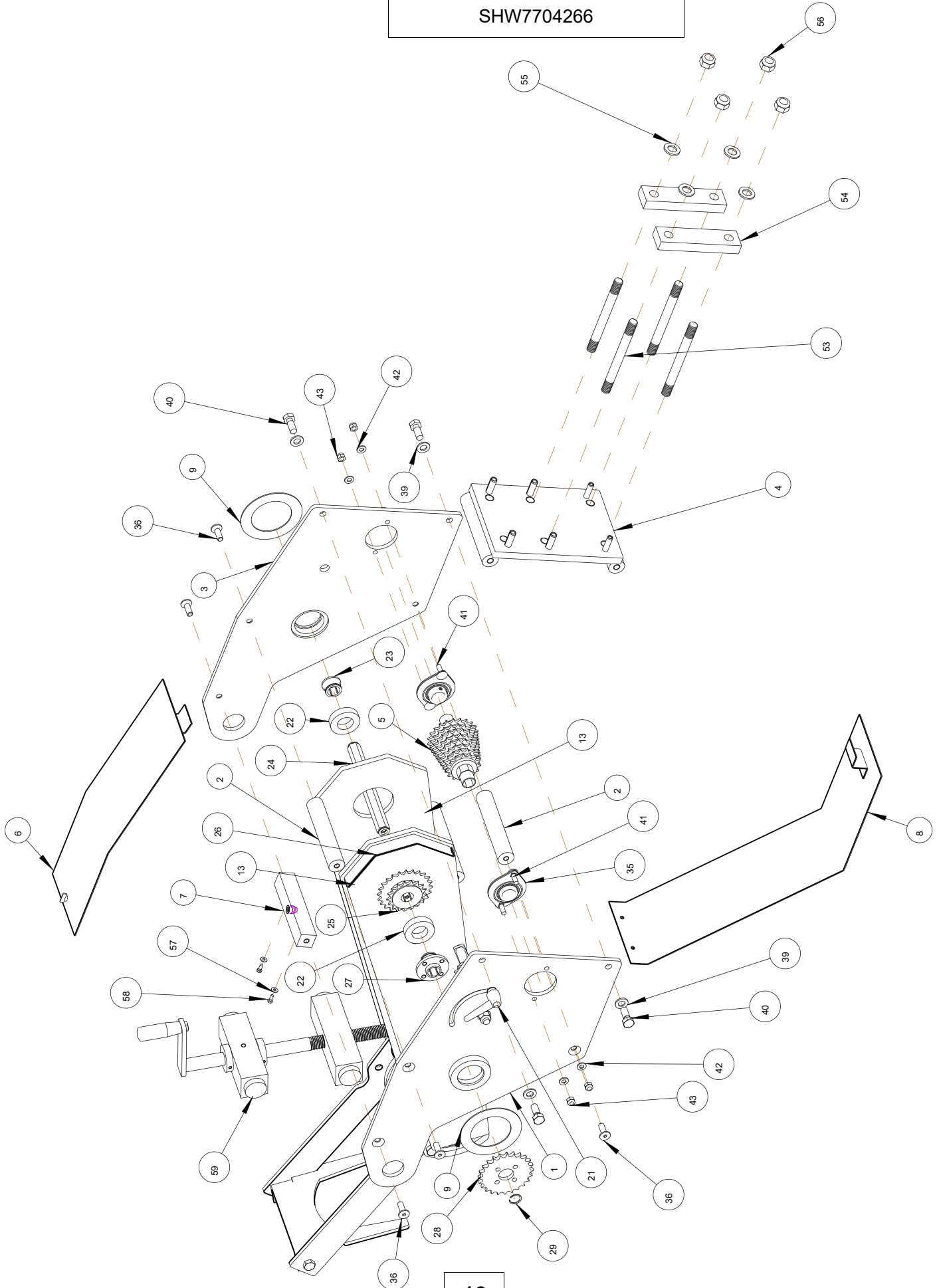
SHW7704266



ADJ DRIVE LWHEEL 100TB



SHW7704266



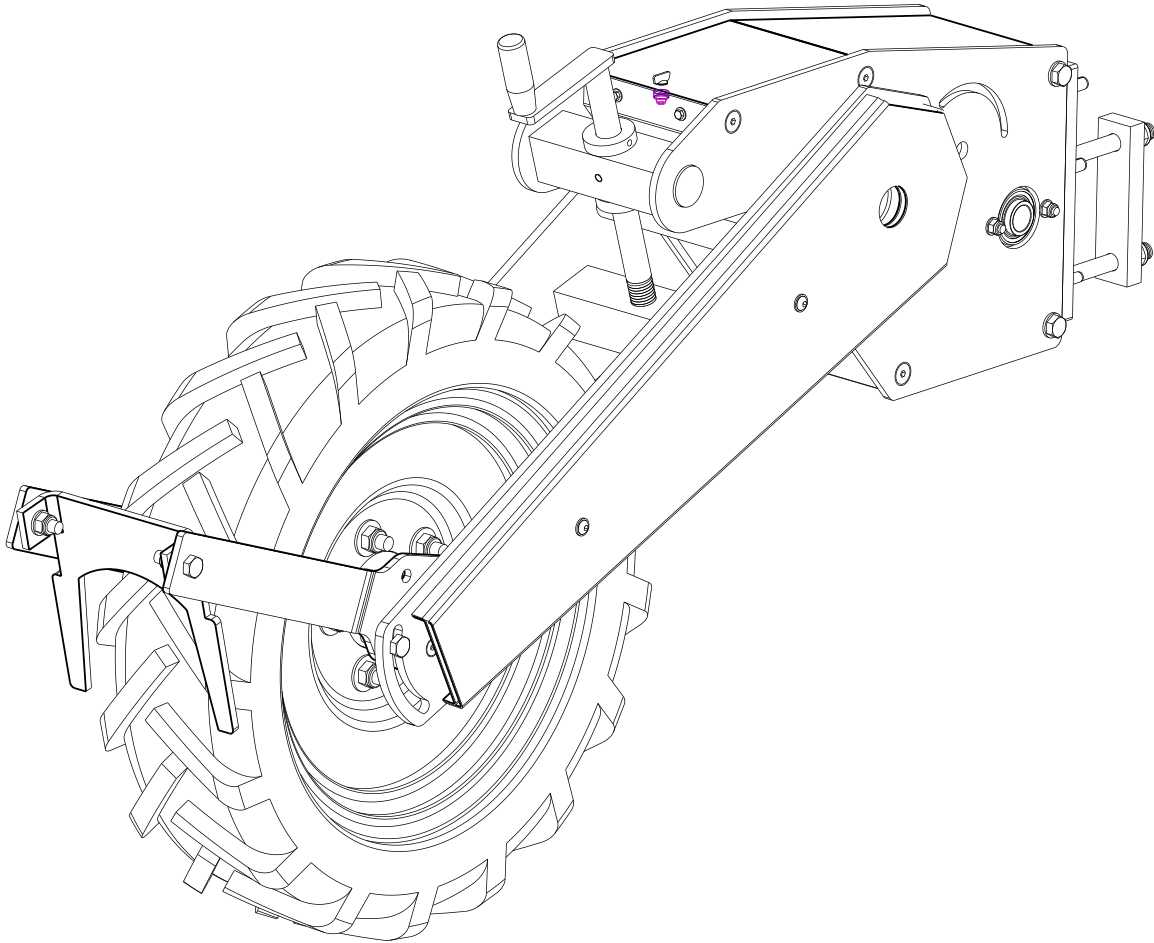
SHW7704266

NUM	QTY	PART NUMBER	DESCRIPTION
1	1	SHW7400043	GEARBOS SIDE RH SLOT
2	2	SHW6904319	GEARBOX SPACER
3	1	SHW7404615	A-FRAME BRACKET-W/A
4	1	SHW7704239	GEARBOX FRONT PLATE -100x100 - AS
5	1	SHW7404619	8 SPROCKET CLUSTER - W/A
6	1	SHW7704246	TOP COVER ASSY
7	1	SHW7704244	GEARBOX REAR SPACER - ASSY
8	1	SHW7404626	BOTTOM COVER W/A
9	2	SHW6904331	WHEEL ARM WASHER
10	1	SHW6904329	WHEEL ARM R/H
11	1	SHW7404624	CHAIN GUARD - W/A
12	1	SHW6904328	WHEEL ARM - L/H
13	2	SHW6904330	WHEEL ARM SPACER
14	1	SHW7704311	WHEEL BEARING HUB - L/H ASSY
15	1	SHW7404623	WHEEL HUB - W/A
16	1	SHW7404622	19T WHEEL SPINDLE
17	1	SHW6904409	WHEEL SPINDLE SPACER R/H - 25.32
18	1	SHW6904408	WHEEL SPINDLE SPACER HL
19	1	SHW7704310	WHEEL BEARING HUB - R/H ASSY
20	2	SHW6904333	PRIMARY DRIVE JOCKEY
21	1	SHW7700024	JOCKEY ASSY 2013
22	2	SHW1901051	30-55-13 BEARING
23	1	SHW6904321	INPUT SHAFT HUB
24	1	SHW6904322	INPUT SHAFT
25	1	SHW1707086	25T PLATEWHEEL - 35 BORE
26	1	SHW1707151	11/13T SLIDING SPROCKET
27	1	SHW6904336	PRIMARY DRIVEN HUB
28	1	SHW1708062	24T PRIMARY DRIVEN SPROCKET
29	2	SHW2217003	20MM EXTERNAL CIRCLIP
30	1	SHW2311093	M20 FORM A
31	1	SHW2303107	NYLOC NUT M20
32	1	SHW5700389	6.00-16 6PLY TYRE & WHEEL - R/H
33	2	SHW6904332	SCRAPER ARM
34	1	SHW7404627	WHEEL SCRAPER
35	2	SHW1905006	RHP BRG SLFL 25
36	10	SHW2376079	CSS M10 X 30
37	4	SHW2311215	SPRING WASHER M8
38	4	SHW2377079	BUTTON HEAD M8 x 12
39	8	SHW2311091	M12 FORM A
40	4	SHW2309078	SETSCREW M12 x 30
41	4	SHW2306464	COACH M8 X 25
42	12	SHW2311089	M8 FORM A
43	11	SHW2303092	M8 NYLOC NUT
44	6	SHW2376069	CSS M8 X 55
45	1	SHW2306043	BOLT M8 x 65
46	4	SHW2306096	BOLT M12 x 40
47	4	SHW2303094	M12 NYLOC NUT
48	5	SHW2306560	BOLT M14 x 45

SHW7704266

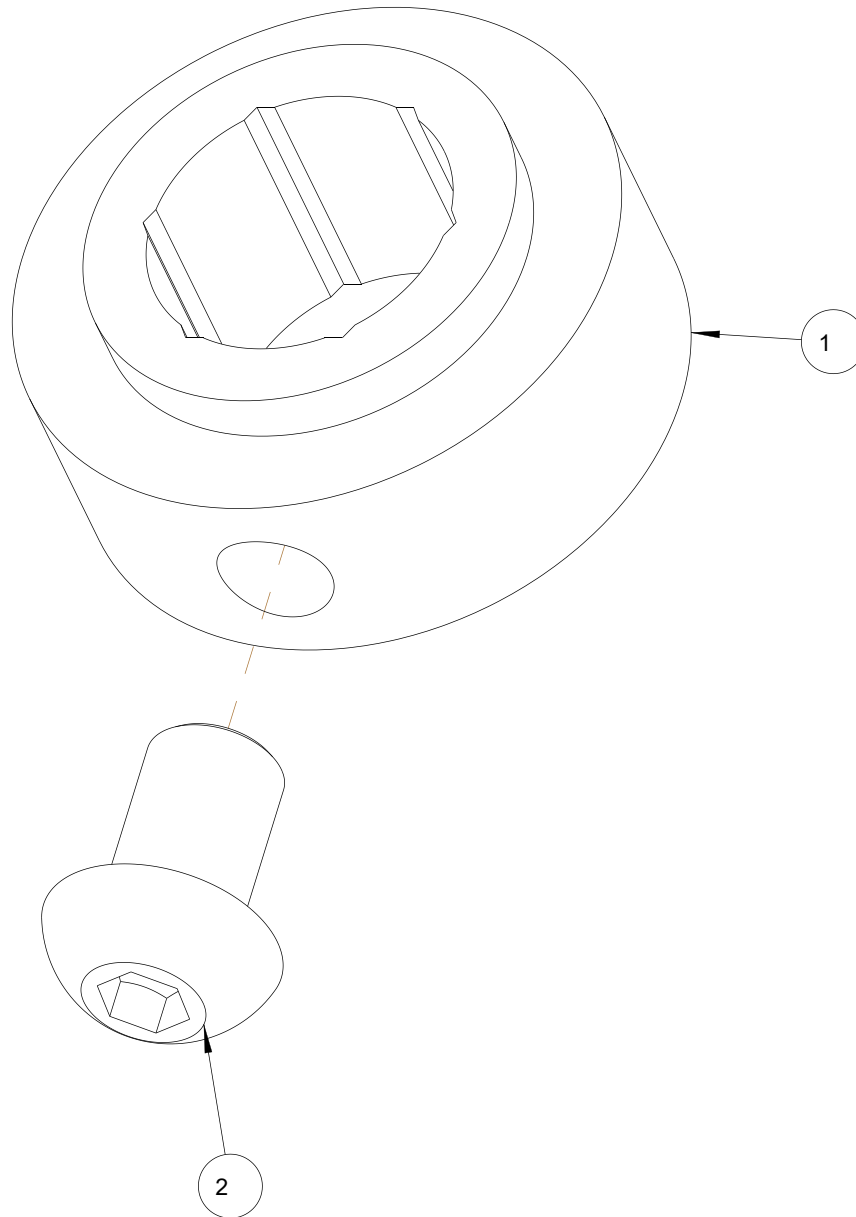
49	5	SHW2311392	M14 CONICAL WASHER
50	5	SHW2303103	M14 NYLOC NUT
51	2	SHW2376064	CSS M8 X 30
52	2	SHW2377085	BUTTON HEAD M8 X 40
53	4	SHW6903980	ROW UNIT STUD
54	2	SHW6903077	CLASP PLATE M16
55	4	SHW2311092	M16 FORM A
56	4	SHW2303129	M16 PHILIDAS NUT
57	2	SHW2311132	M5 FORM C
58	2	SHW2309022	SETSCREW M5 x 12
59	1	SHW7704245	JACK SCREW ASSY

SHW7704267

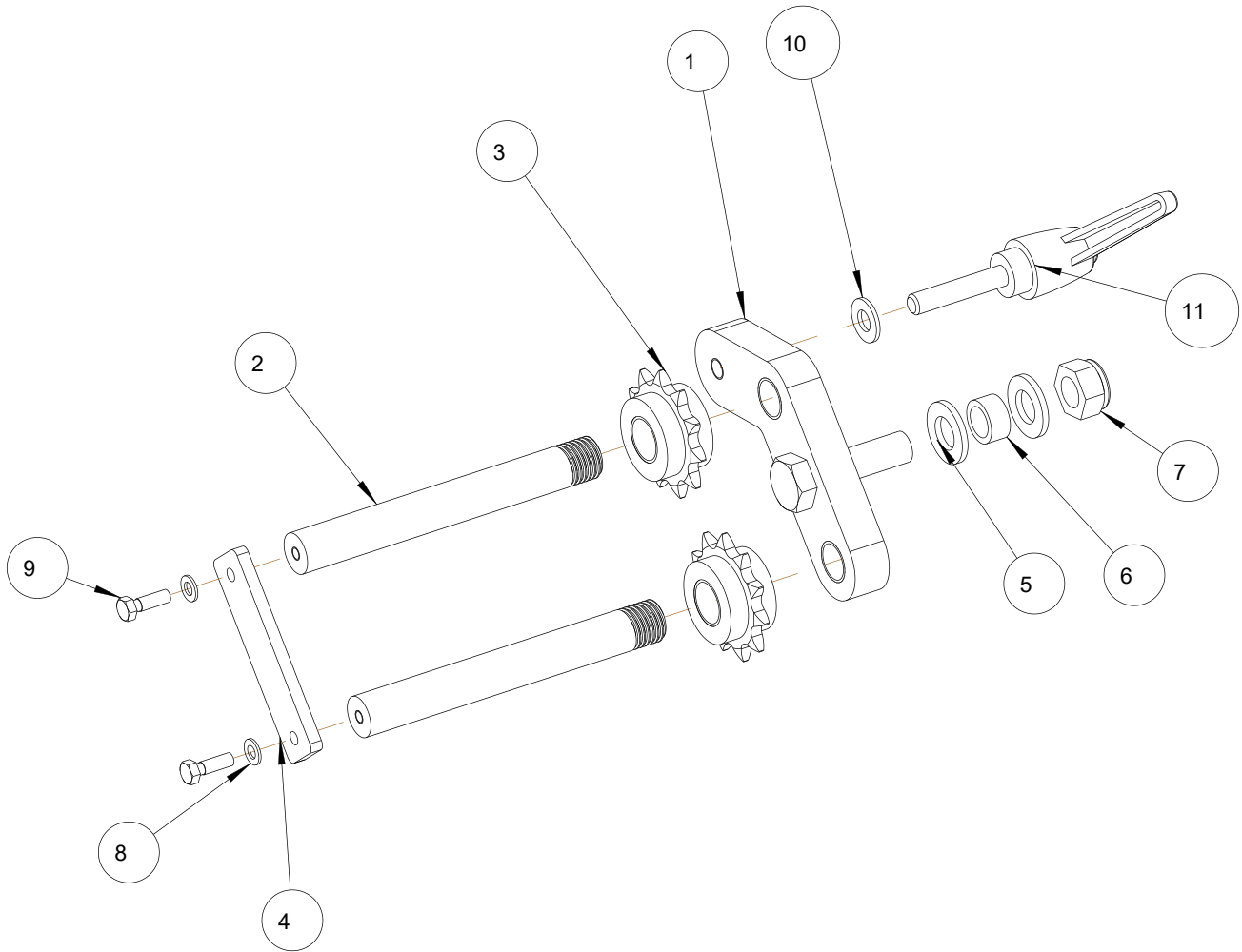


PARTS EXACT SAME AS SHW7704266 APART FROM THESE PARTS NOT BEING USED

NUM	QTY	PART NUMBER	DESCRIPTION
23	1	SHW6904321	INPUT SHAFT HUB
26	1	SHW1707151	11/13T SLIDING SPROCKET
24	1	SHW6904322	INPUT SHAFT
25	1	SHW1707086	25T PLATE WHEEL - 35 BORE
28	1	SHW1708062	24T PRIMARY DRIVEN SPROCKET
27	1	SHW6904336	PRIMARY DRIVEN HUB
5	1	SHW7404619	8 SPROCKET CLUSTER - W/A
21	1	SHW7700024	JOCKEY ASSY 2013

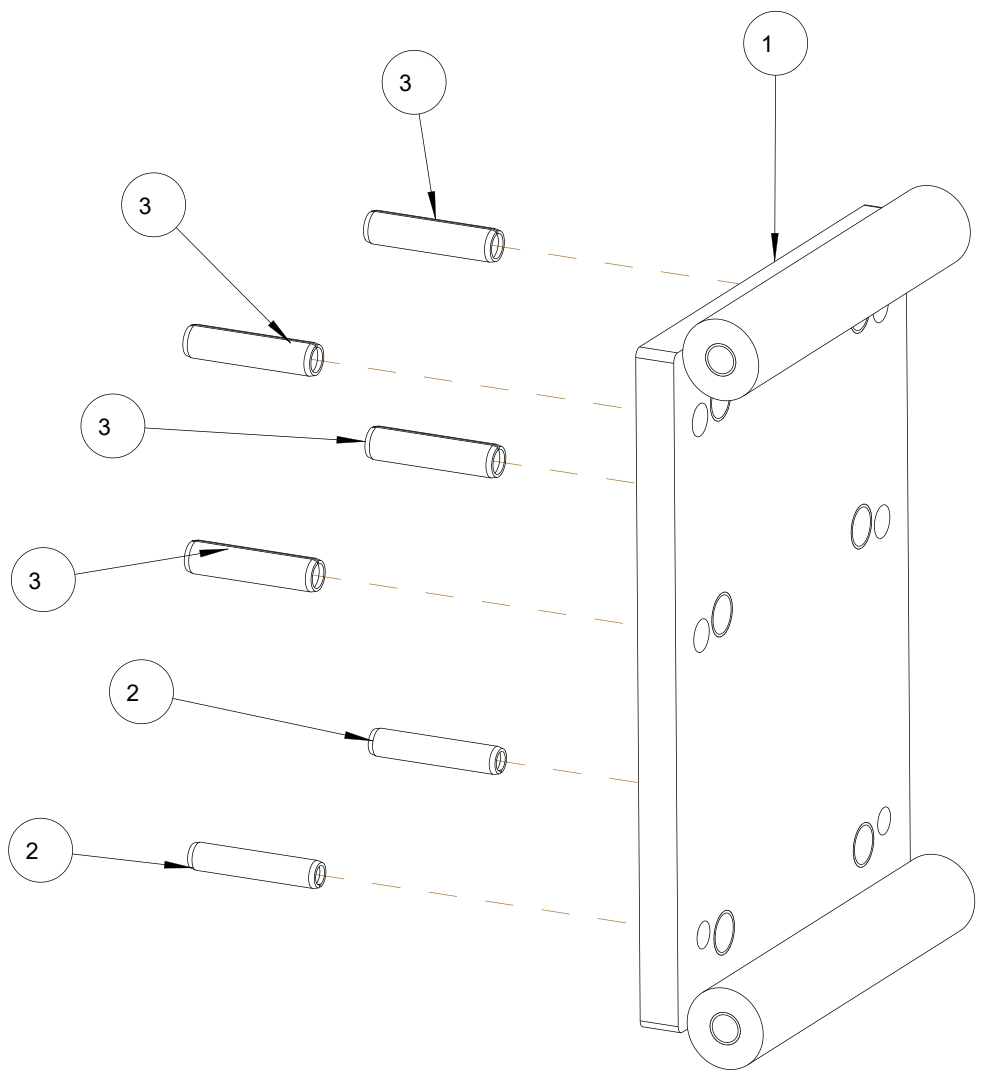


NUM	QTY	PART NUMBER	DESCRIPTION
1	1	SHW6902352	LOCKING COLLAR
2	1	SHW2377104	M10 X 16 SOCKET BUTTON HEAD SCREW



NUM	QTY	PART NUMBER	DESCRIPTION
1	1	SHW7400045	JOCKEY WA
2	2	SHW6904323	JOCKEY SPINDLE
3	2	SHW7704242	11T JOCKEY SPROKT
4	1	SHW6904324	SPINDLE TIE
5	2	SHW2311091	M12 FORM A
6	1	SHW6900071	TENSIONER HOLE SPACER
7	1	SHW2303094	M12 NYLOC NUT
8	2	SHW2310111	M5 FORM A
9	2	SHW2309023	SETSCREW M5 x 16
10	1	SHW2311089	M8 FORM A
11	1	SHW6404030	M8 INDEX CLAMP HANDLE

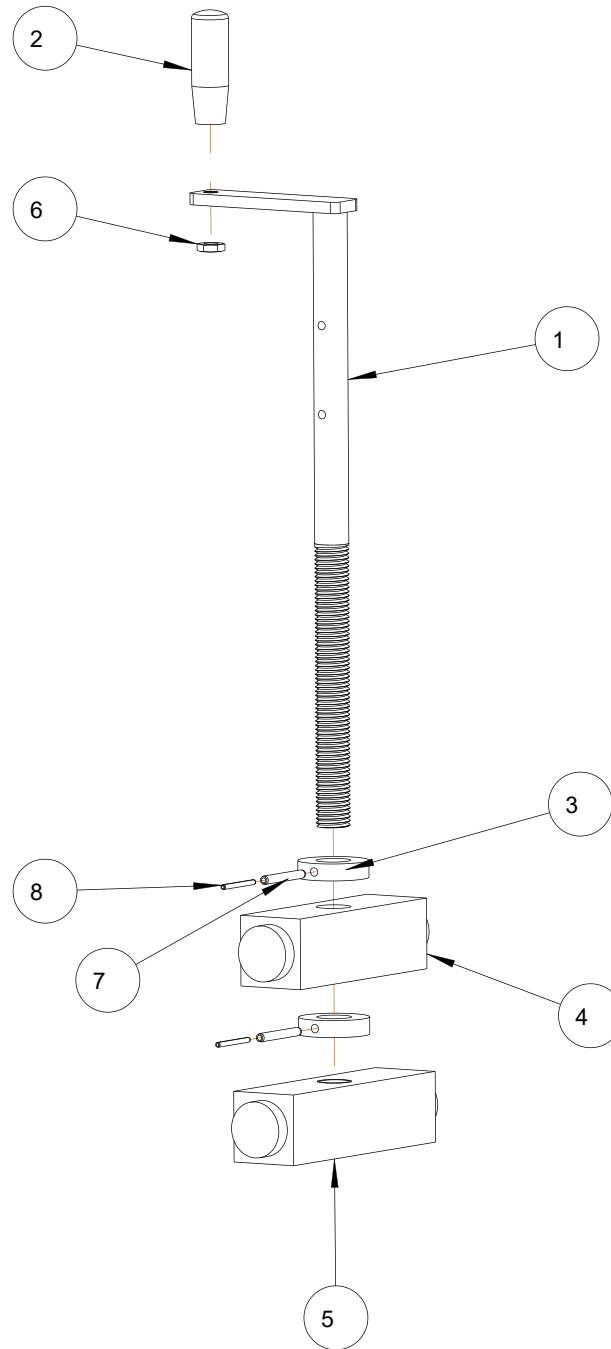
GEARBOX FRONT PLATE -100x100 - AS
 SHW7704239



NUM	QTY	PART NUMBER	DESCRIPTION
1	1	SHW7404614	GEARBOX FRONT PLATE W/A
2	2	SHW2215122	10 x 50 SPIRAL PIN
3	4	SHW2215140	12 x 50 SPIRAL PIN

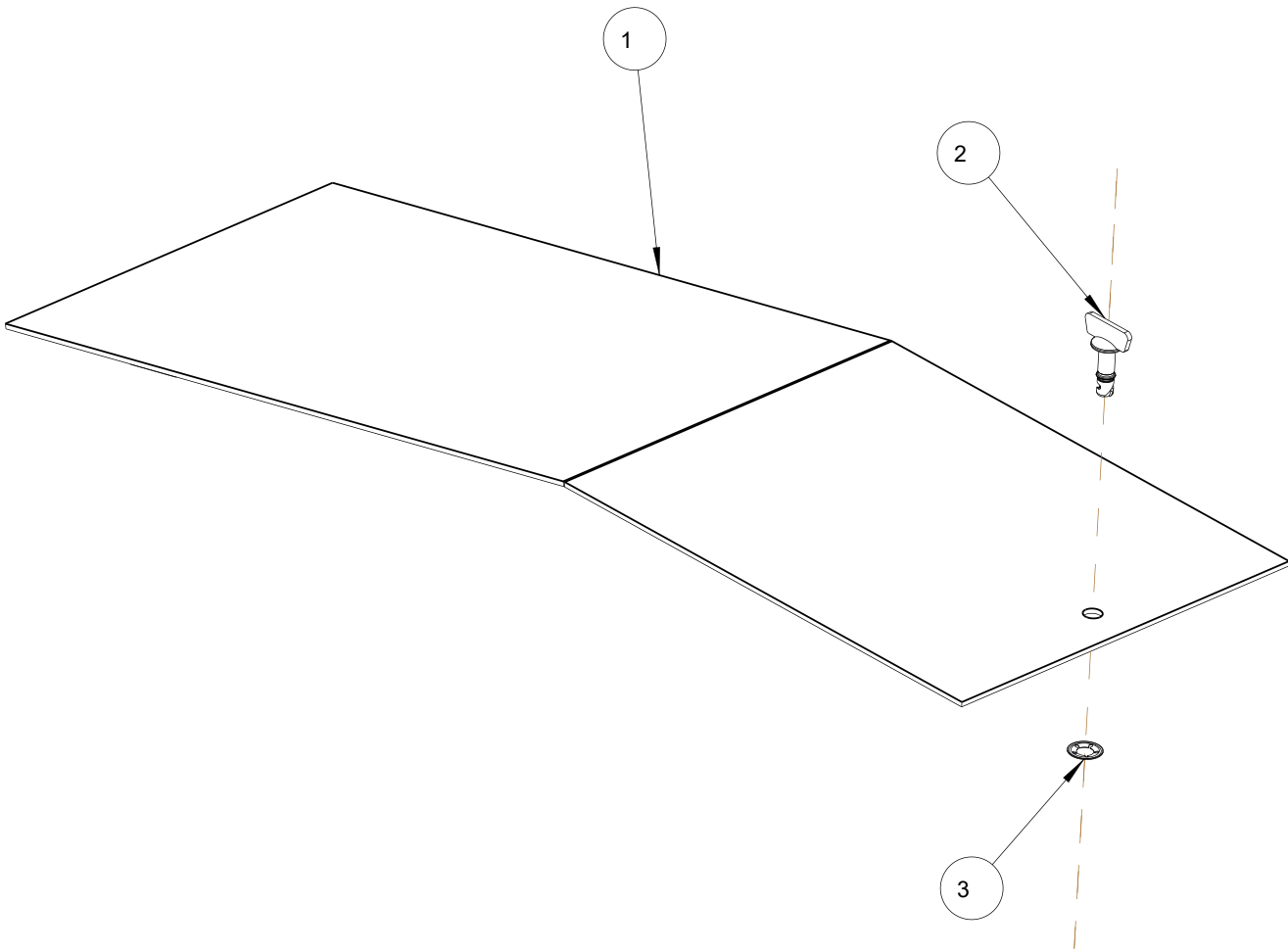
JACK SCREW ASSY

SHW7704245



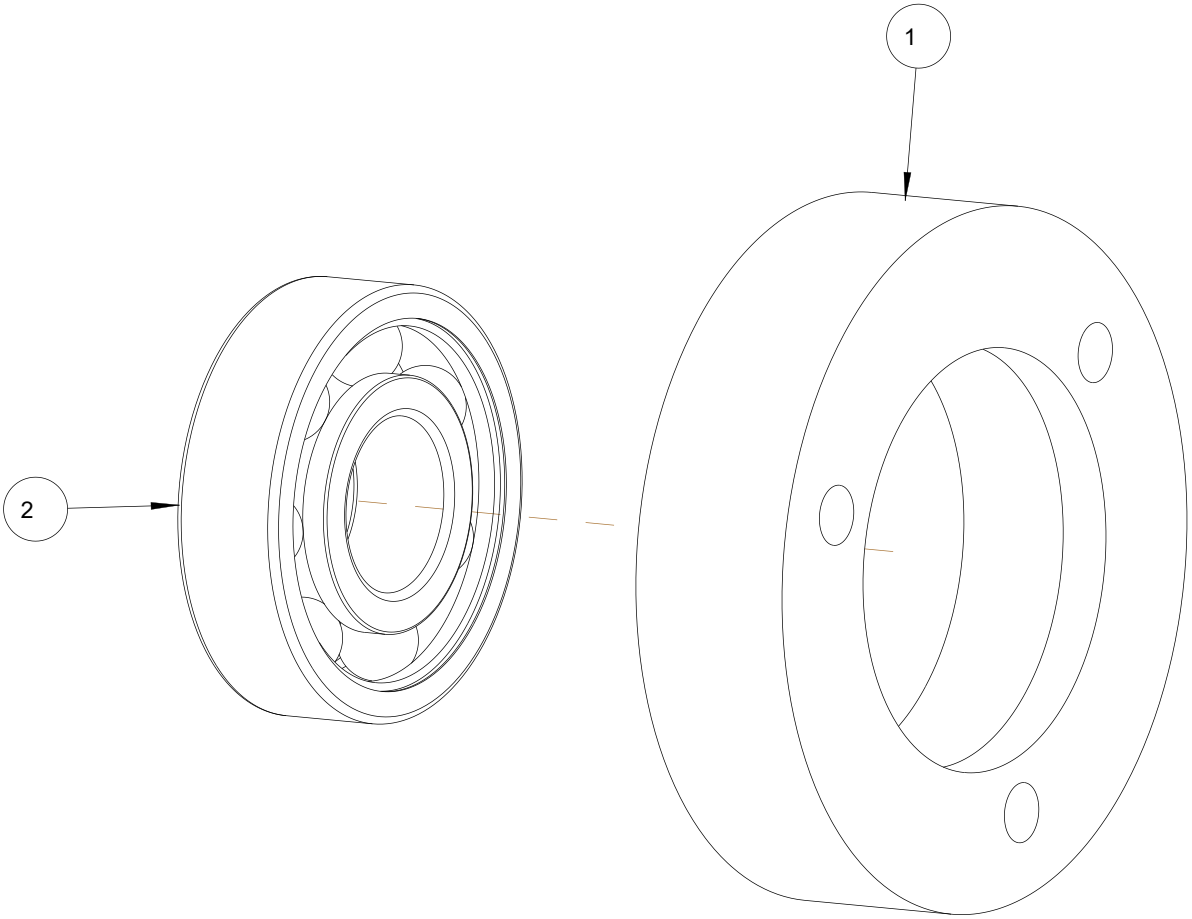
NUM	QTY	PART NUMBER	DESCRIPTION
1	1	SHW7404620	JACK SCREW
2	1	SHW6404036	RENCOL HANDLE
3	2	SHW6904327	
4	1	SHW6904325	
5	1	SHW6904326	TRUNNION TAPPED
6	1	SHW2303044	LOCKNUT M10
7	2	SHW2215306	6 X 50 TENSION PIN
8	2	SHW2215403	3.5 x 50 TENSION PIN

TOP COVER ASSY
SHW7704246

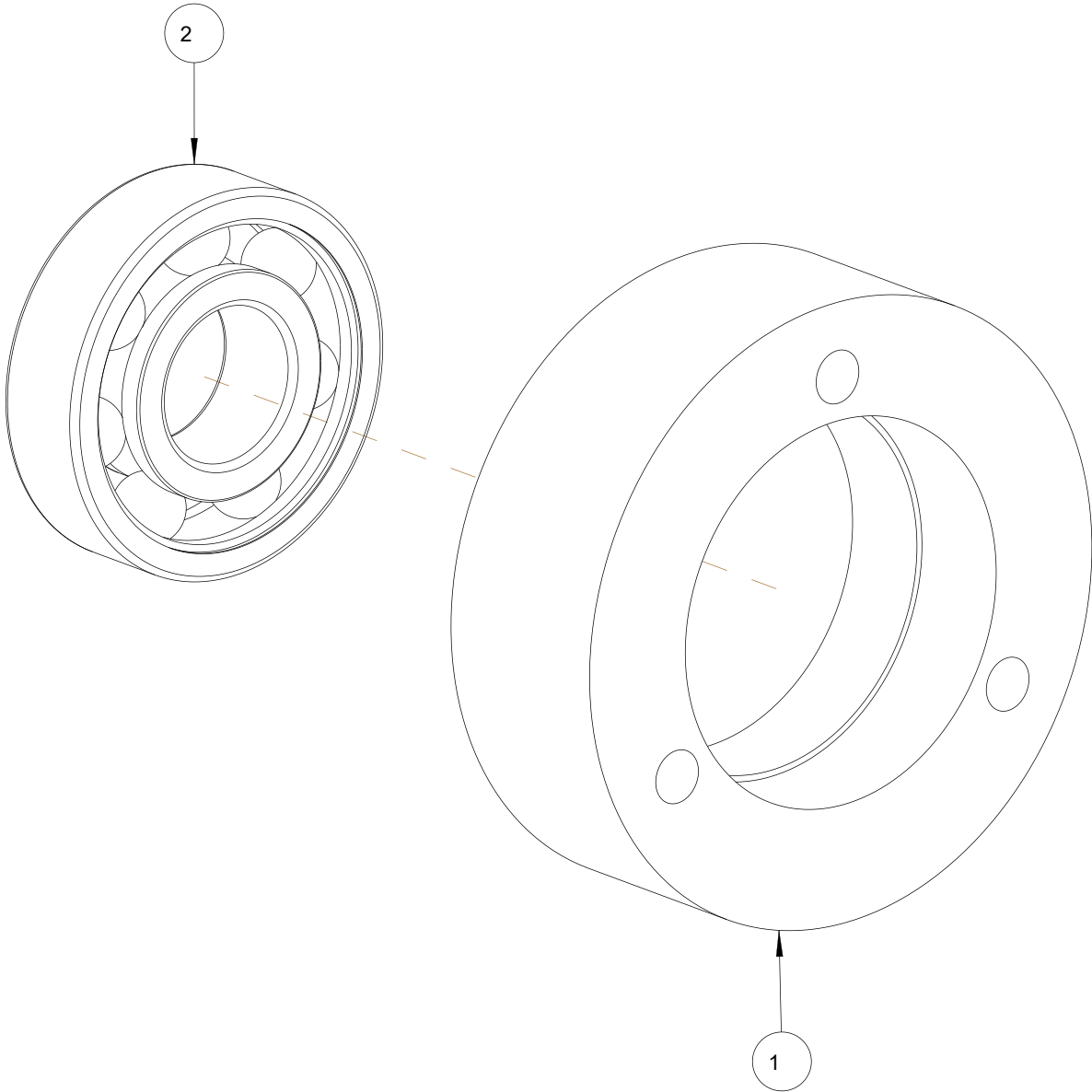


NUM	QTY	PART NUMBER	DESCRIPTION
1	1	SHW7404625	TOP COVER W/A
2	1	SHW2387017	6MM WING STUD
3	1	SHW2837018	6MM STEEL RETAINER

WHEEL BEARING HUB - R/H ASSY
SHW7704310



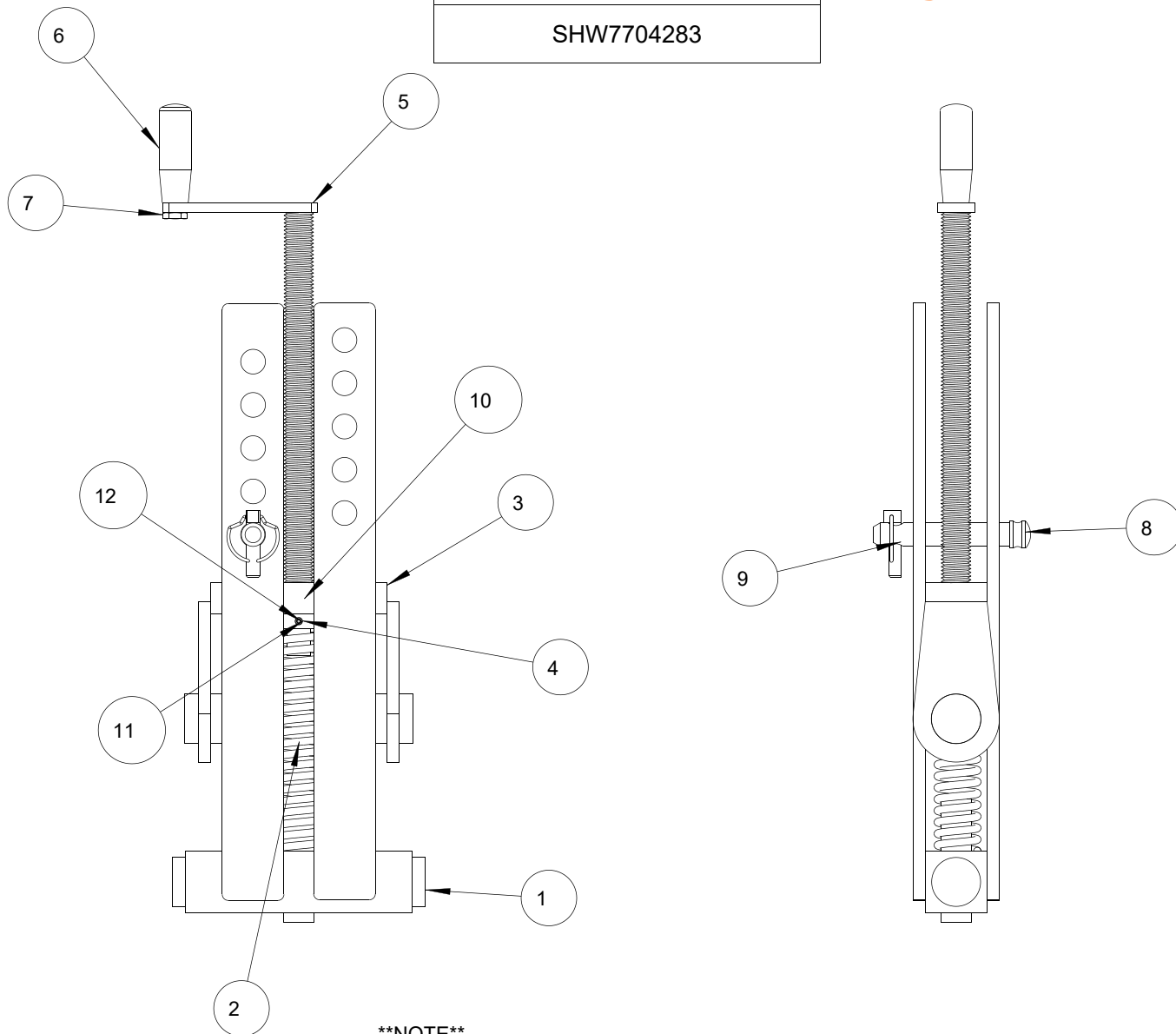
NUM	QTY	PART NUMBER	DESCRIPTION
1	1	SHW6904407	WHEEL BEARING HUB RH
2	1	SHW1901160	6305-2RS BALL BEARING



NUM	QTY	PART NUMBER	DESCRIPTION
1	1	SHW6904410	WHEEL BEARING HUB - L/H
2	1	SHW1901160	6305-2RS BALL BEARING

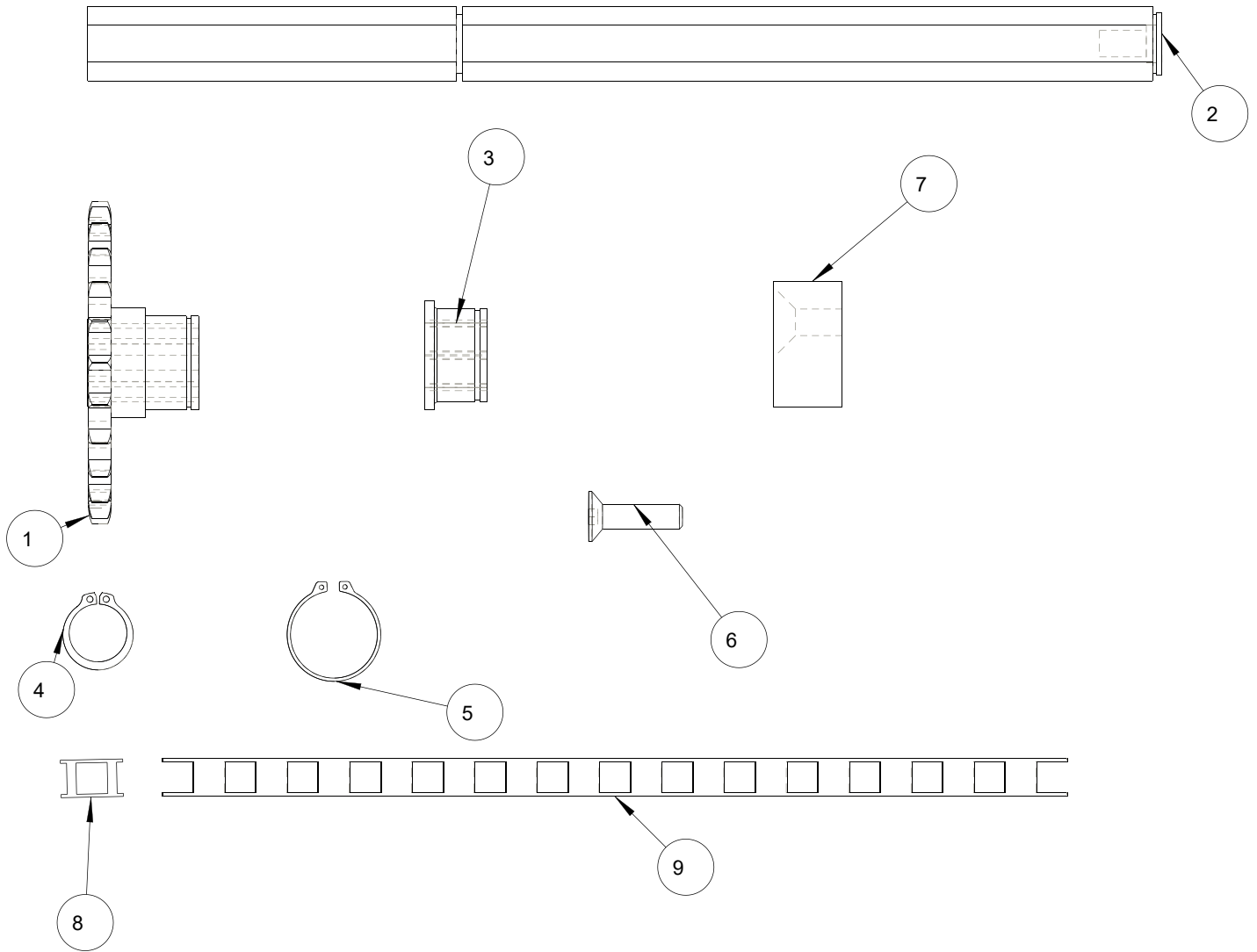
JACK SCREW SL - ASSY

SHW7704283



****NOTE****
 WHEN FITTING SPRING LOADED JACK SCREW
 KIT (7704283), 2x WHEEL ARM SPACERS
 (6904330) MUST BE REMOVED, AND REPLACED
 WITH 1x 6904382 - AS SHOWN BY ITEM 13

NUM	QTY	PART NUMBER	DESCRIPTION
1	1	SHW7404647	WHEEL ARM TRUNNION WA
2	1	SHW2701056	COMPRESSION SPRING
3	1	SHW7404648	GEARBOX TRUNNION WA
4	1	SHW6904365	JACK SCREW COLLAR SL
5	1	SHW7404649	JACK SCREW SL WA
6	1	SHW6404036	RENCOL HANDLE
7	1	SHW2303044	LOCKNUT M10
8	1	SHW2314820	TOP LINK PIN CAT 1
9	1	SHW2314759	7/16 L/PIN & CHN
10	1	SHW6401006	M8 STRAIGHT GREASE NIPPLE
11	1	SHW2215306	6 X 50 TENSION PIN
12	1	SHW2215403	3.5 x 50 TENSION PIN
13	1	SHW6904382	WHEEL ARM SPACER (S/L)

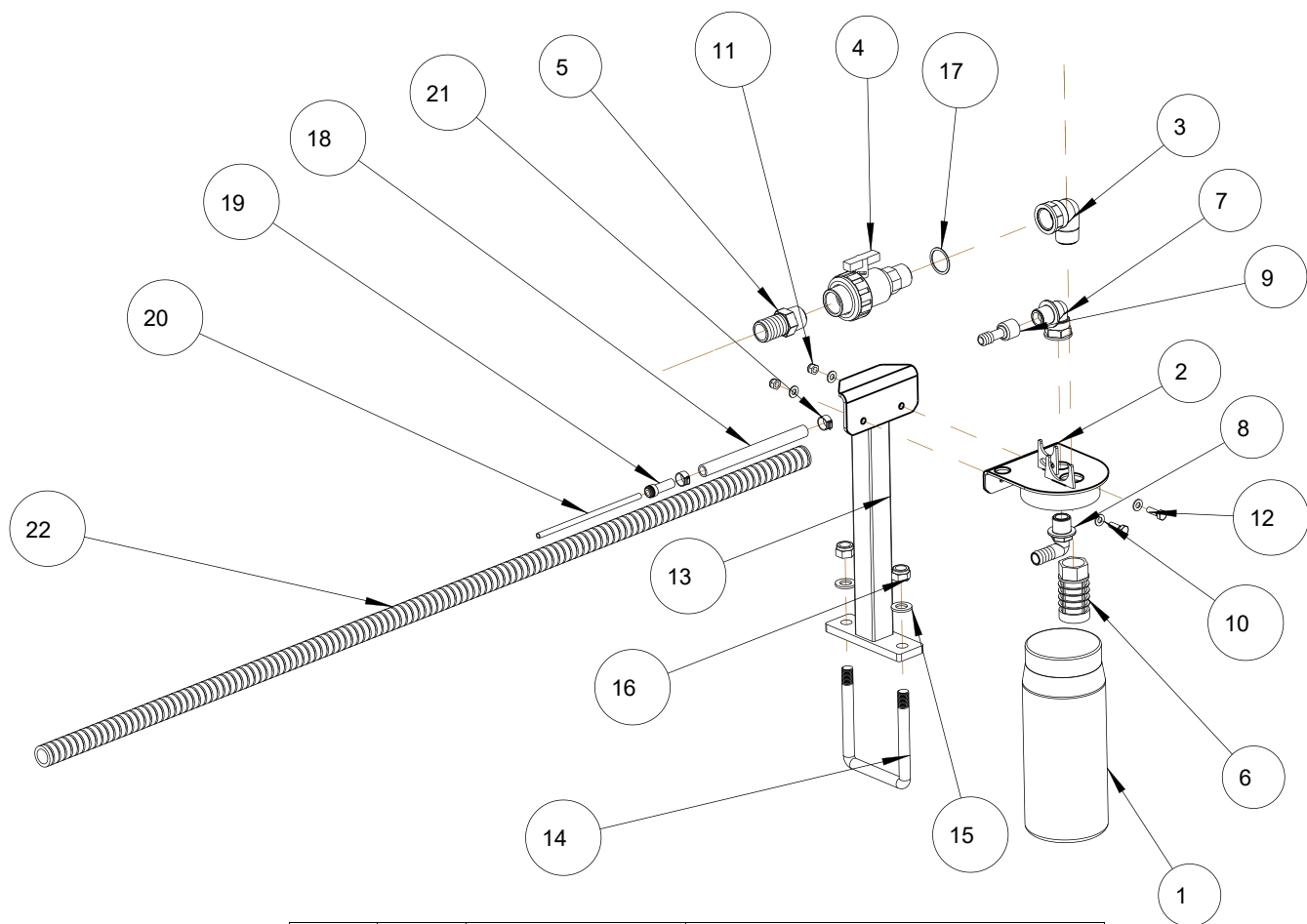


NUM	QTY	PART NUMBER	DESCRIPTION
1	1	SHW7404621	24T DRIVEN SPROCKET
2	1	SHW6904420	INPUT F-180 SHAFT
3	1	SHW6904321	INPUT SHAFT HUB
4	1	SHW2217003	EXT. CIRCLIP 20 X 1.20
5	1	SHW2217009	EXT. CIRCLIP 30 x 1.5
6	1	SHW2376064	CSS M8 X 30
7	1	SHW6904333	PRIMARY DRIVE JOCKEY
8	1	SHW1808065	CONNECTING LINK
9	1	SHW1808083	125 PITCH CHAIN

SEED VACUUM EMPTIER W/ MOUNT



S77-00017

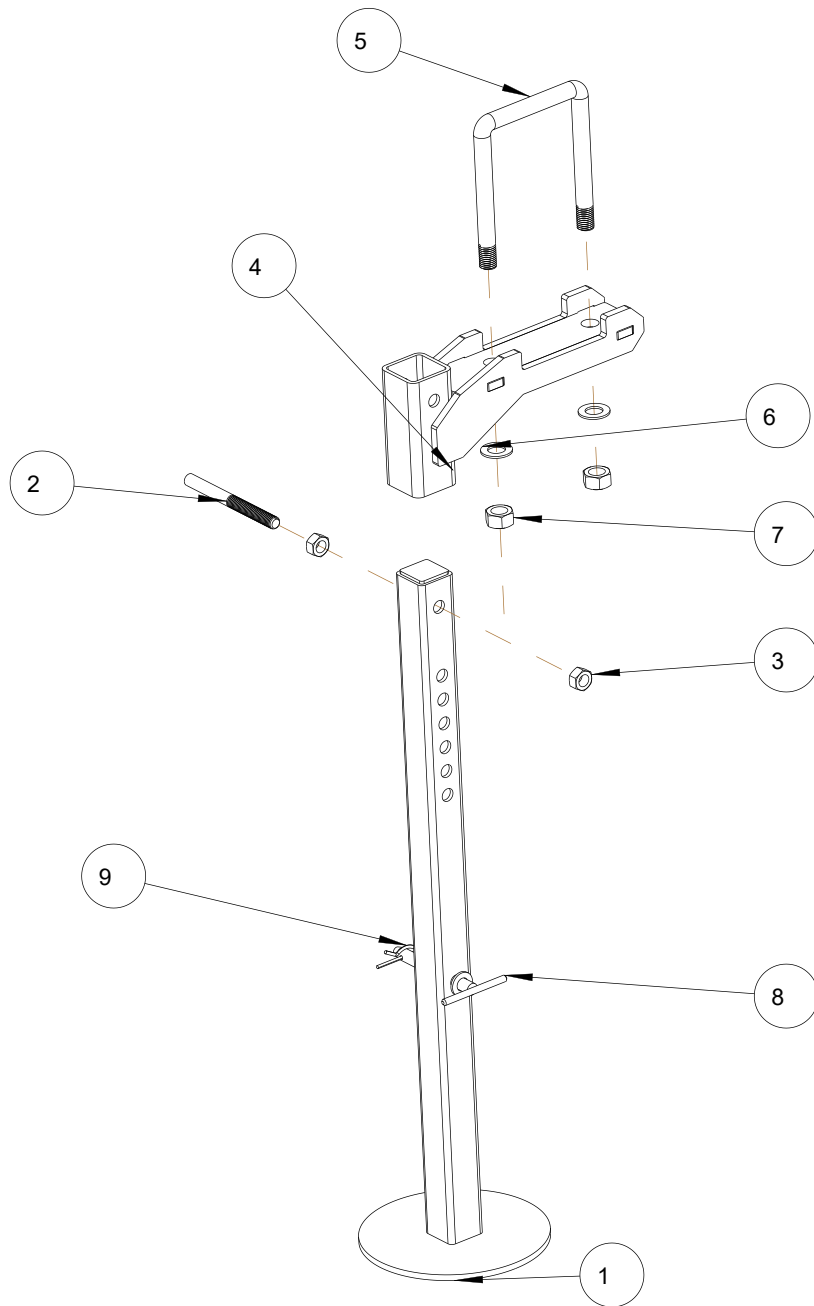


NUM	QTY	PART NUMBER	DESCRIPTION
1	1	S64-00015	2L VACUUM CONTAINER
2	1	S74-00012	SEED VACUUM W/A
3	1	S64-00016	1" MALE-FEMALE ELBOW
4	1	S64-00017	1" MANUAL BALL VALVE TAP
5	1	S64-00018	1" MALE-HOSETAIL
6	1	S64-00019	1" SCREW ON FILTER
7	1	S64-00020	3/4" MALE-FEMALE ELBOW
8	1	S64-00021	3/4" MALE-HOSETAIL
9	1	S64-00022	3/4" FEMALE-13mm HOSETAIL
10	4	SHW2311089	M8 FORM A
11	2	SHW2303092	M8 NYLOC NUT
12	2	SHW2309048	SETSCREW M8 x 25
13	1	S74-00021	SEED VACUUM MOUNT W/A
14	1	SHW7002006	YOKE BAR U BOLT (100X100)
15	2	SHW2311092	M16 FORM A
16	2	SHW2303095	M16 NYLOC NUT
17	1	S69-00030	PROFILE, STAINLESS WASHER
18	1	S43-00001	HOSE, VAC 12.5mm ID YELLOW
19	1	S64-00023	1/2" - 5/16 REDUCER COUPLING
20	1	SHW4300027	300mm 8mm NYLON TUBE
21	2	S23-00001	JUBILEE CLIP 13-20mm
22	1	SHW4300029	32D PVC-FLEX SUPERPLASTIC

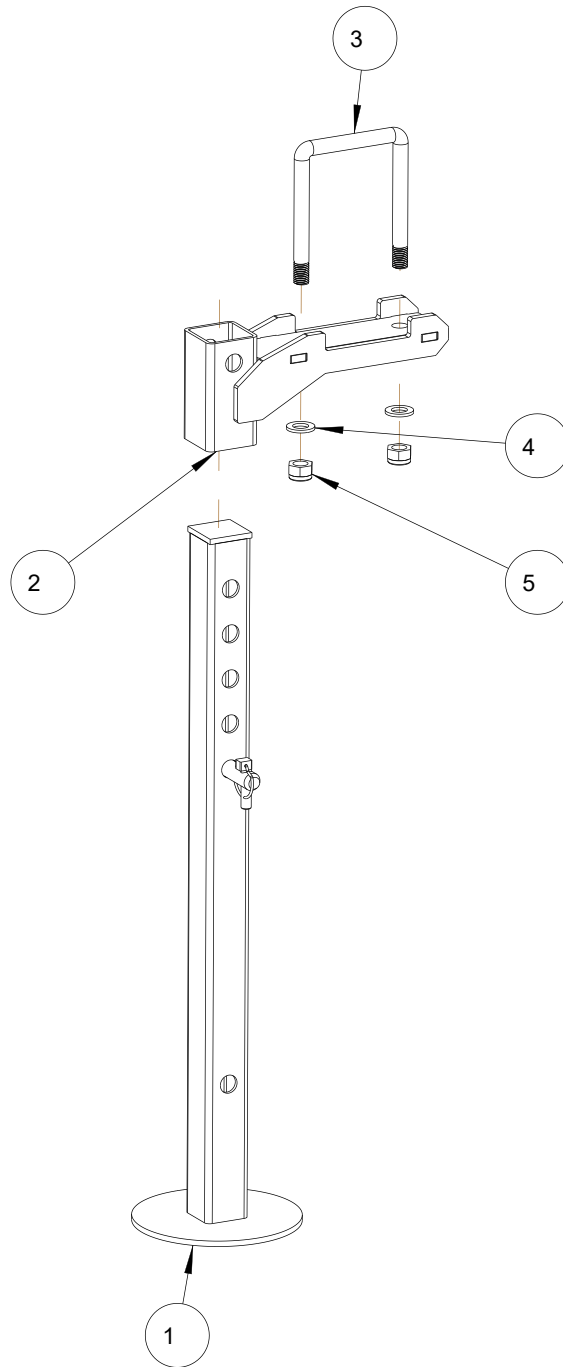
PARKING STAND 100 TB



S77-00038



NUM	QTY	PART NUMBER	DESCRIPTION
1	1	SHW7402141	STAND UPRIGHT WA
2	1	SHW6902100	STAND HANDLE
3	2	SHW2303009	M12 NUT
4	1	S74-00034	PARK STAND 100 TB W/A
5	1	SHW7002006	YOKE BAR U BOLT (100X100)
6	2	SHW2311114	M16 FORM B
7	2	SHW2203010	NUT M16
8	1	SHW7402238	SUPPORT PIN WA
9	1	SHW2316033	R-clip - VLF.3422

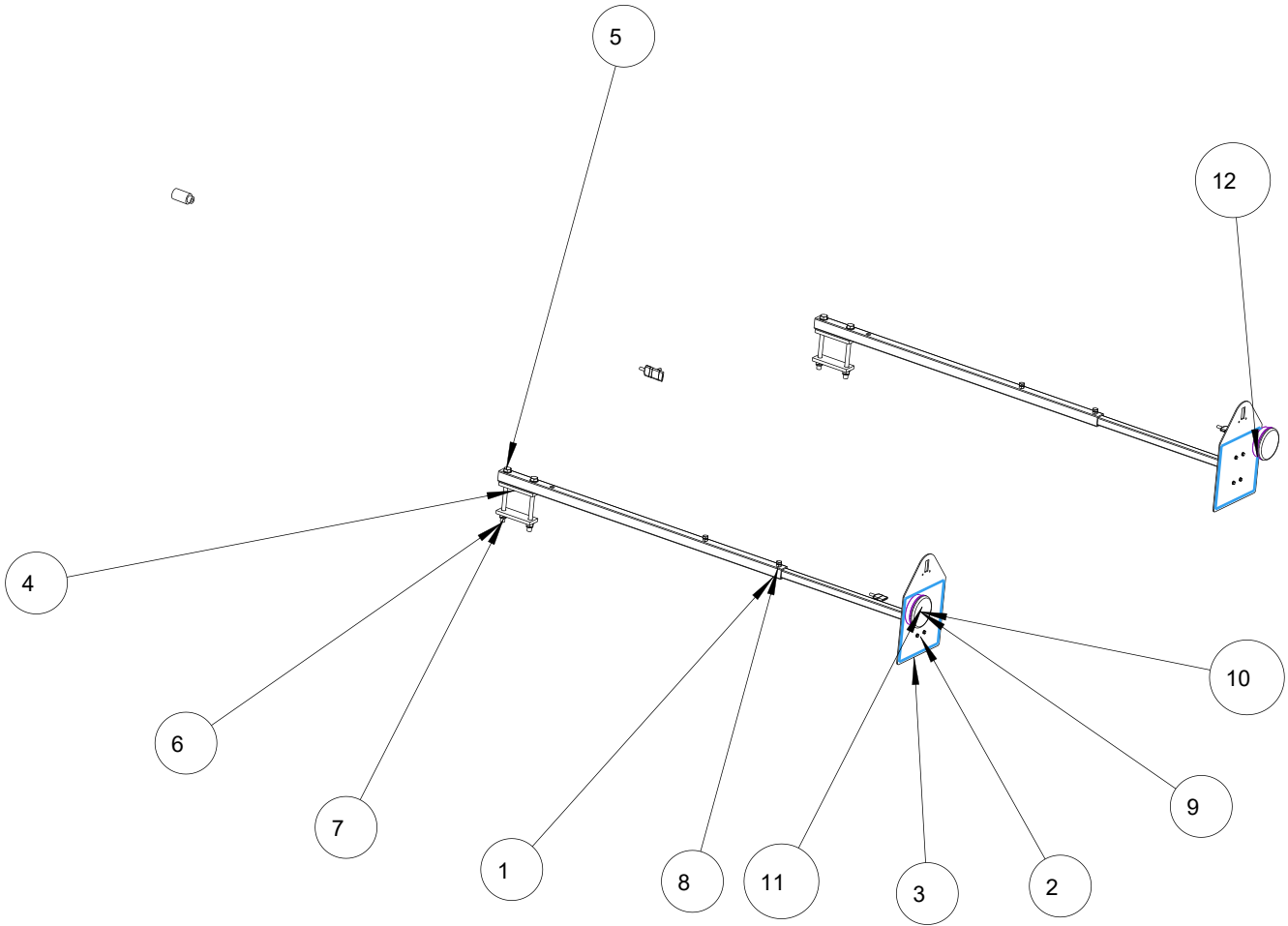


NUM	QTY	PART NUMBER	DESCRIPTION
1	1	SHW7703501	PARKING STAND ASSY
2	1	S74-00044	HEAVY DUTY PARK STAND 100 TB W/A
3	1	SHW7002006	YOKE BAR U BOLT (100X100)
4	2	SHW2311092	M16 FORM A
5	2	SHW2303095	M16 NYLOC NUT

100 TB REAR LIGHTING KIT

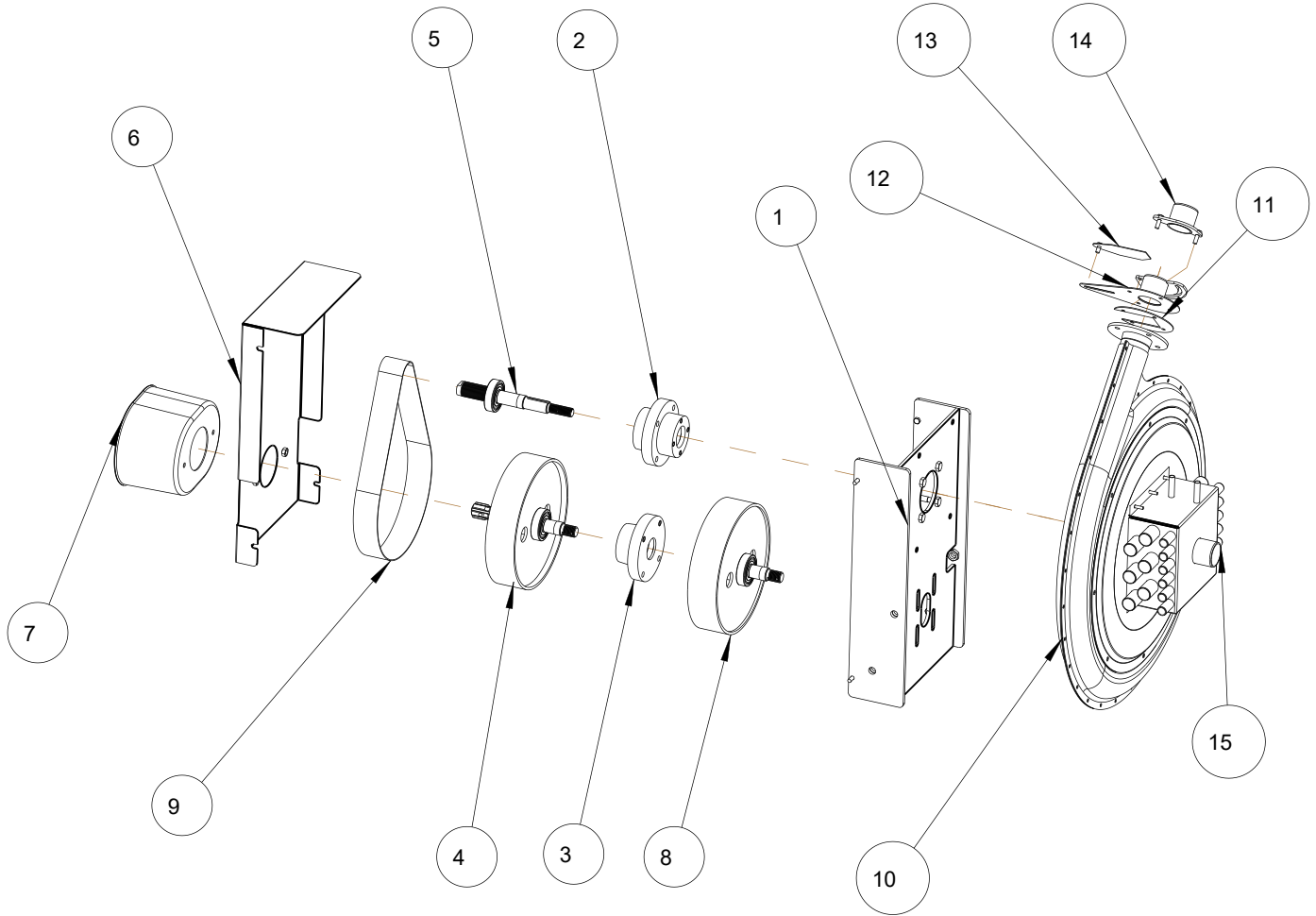


S77-00041



NUM	QTY	PART NUMBER	DESCRIPTION
1	2	S74-00038	PROFILE 40x40 LIGHT KIT W/A
2	2	S74-00039	PROFILE 30x30 LIGHT KIT W/A
3	2	S69-00074	PROFILE REFLECTING PLATE
4	4	SHW7205563	ATTACHMENT PLATE
5	8	SHW2311114	M16 FORM B
6	4	SHW2306146	Bolt M16 x 200
7	4	SHW2303095	M16 NYLOC NUT
8	4	SHW2309060	Setscrew M10 x 16
9	16	SHW2311088	M6 FORM A
10	8	SHW2306016	Bolt M6 x 30
11	8	SHW2303091	M6 NYLOC NUT
12	1	S80-00009	TAIL LIGHT WIRING KIT

S77-00047

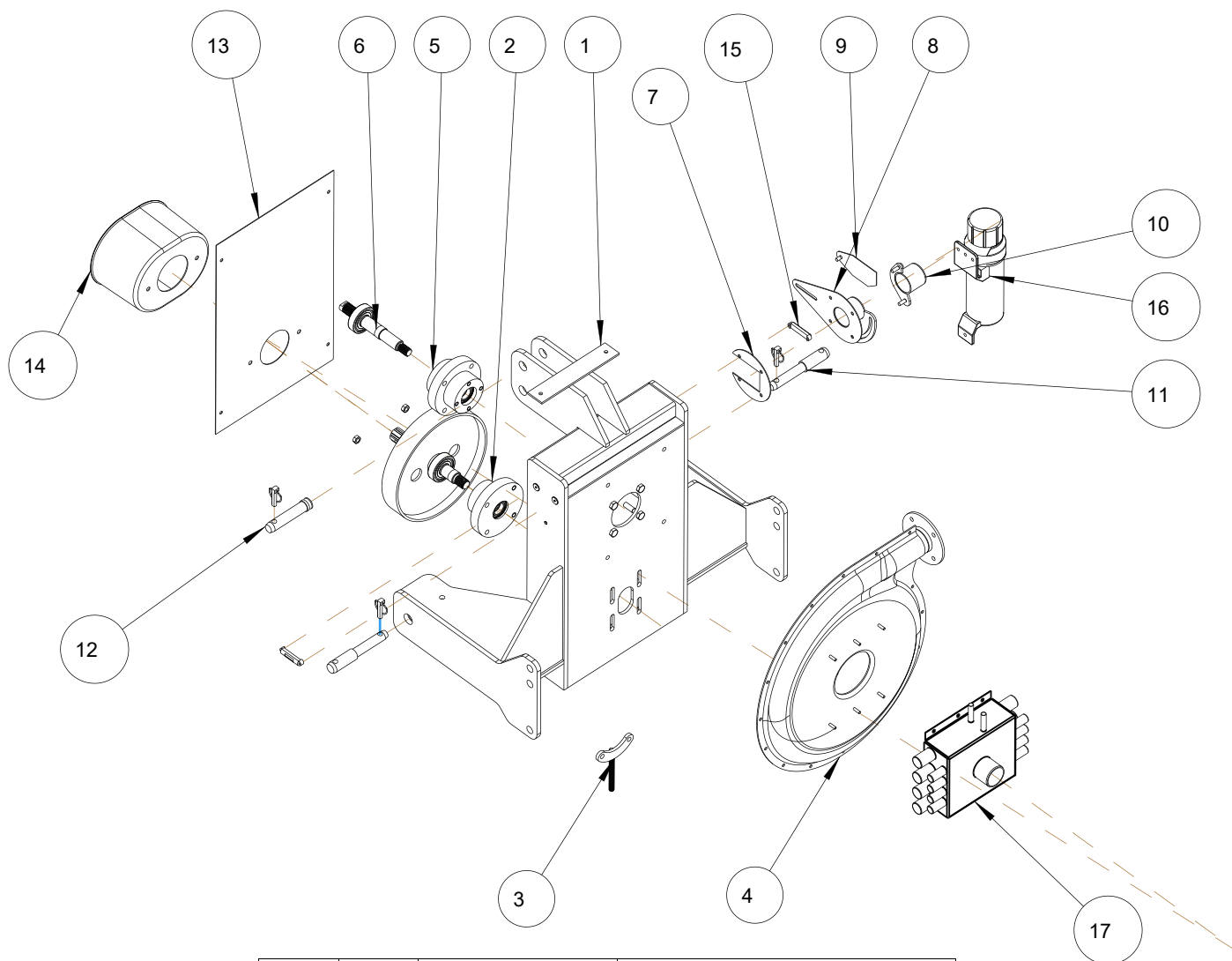


NUM	QTY	PART NUMBER	DESCRIPTION
1	1	S74-00042	STACKER 26RIB FAN FRAME W/A
2	1	SHW3000709	IMPELLER SHAFT HOUSING
3	1	SHW3000711	PTO DRIVE SHAFT MOUNTING
4	1	SHW7703296	BOTTOM PULLY SHAFT
5	1	SHW7703295	IMPELLER SHAFT ASSY
6	1	S74-00043	STACKER_26RIB_FAN_COVER_W/A
7	1	SHW6903491	PTO GUARD
8	1	SHW7700016	HYD DRIVE PULLEY ASSY
9	1	SHW1323004	
10	1	SHW4801007	ANGLED 26RIB FAN CASE
11	1	SHW6902526	VACUUM BAFFLE GUIDE
12	1	SHW7403438	PRESSURE OUTLET W/A
13	1	SHW7403439	VACUUM BAFFLE PLATE W/A
14	1	SHW7403440	PRESSURE ADJUSTER WA
15	1	SHW7403444	12 PORT MANIOLD

17 RIB FAN HEAVY DUTY



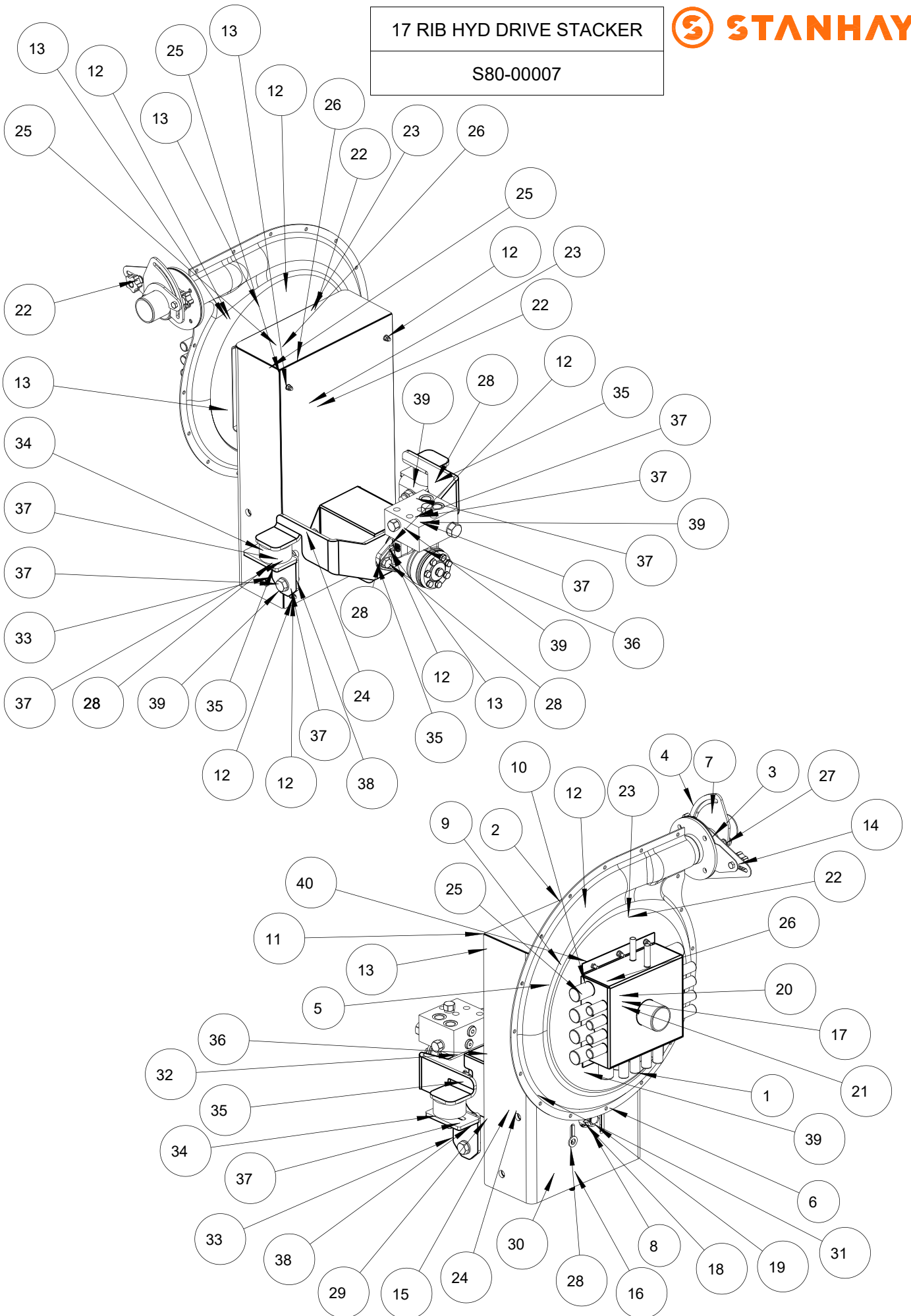
S77-00032



NUM	QTY	PART NUMBER	DESCRIPTION
1	1	S74-00023	17 RIB HEADSTOCK 2017 W/A
2	1	SHW7703500	BOTTOM BRG HOUSING
3	1	SHW7403441	BELT TENSIONER BRACKET
4	1	SHW4801008	FAN 405QP
5	1	SHW7703545	PTO 17 RIB PULLEY
6	1	SHW7703544	IMP SHAFT 17RIB
7	1	SHW6902526	VACUUM BAFFLE GUIDE
8	1	SHW7403438	PRESSURE OUTLET W/A
9	1	SHW7403439	VACUUM BAFFLE PLATE W/A
10	1	SHW7403440	PRESSURE ADJUSTER WA
11	2	SHW2314810	DUAL LOWER LINK PIN
12	1	SHW2314813	CAT 2 TOP LINK PIN
13	1	SHW7403944	FAN BACK COVER
14	1	SHW6903491	PTO GUARD
15	2	S64-00006	HSTOCK LEVEL 73mm GPL15
16	1	S64-00005	MANUAL CANISTER MEDIUM
17	1	SHW7403688	AIR MANIFOLD 8 OUTLET

17 RIB HYD DRIVE STACKER

S80-00007



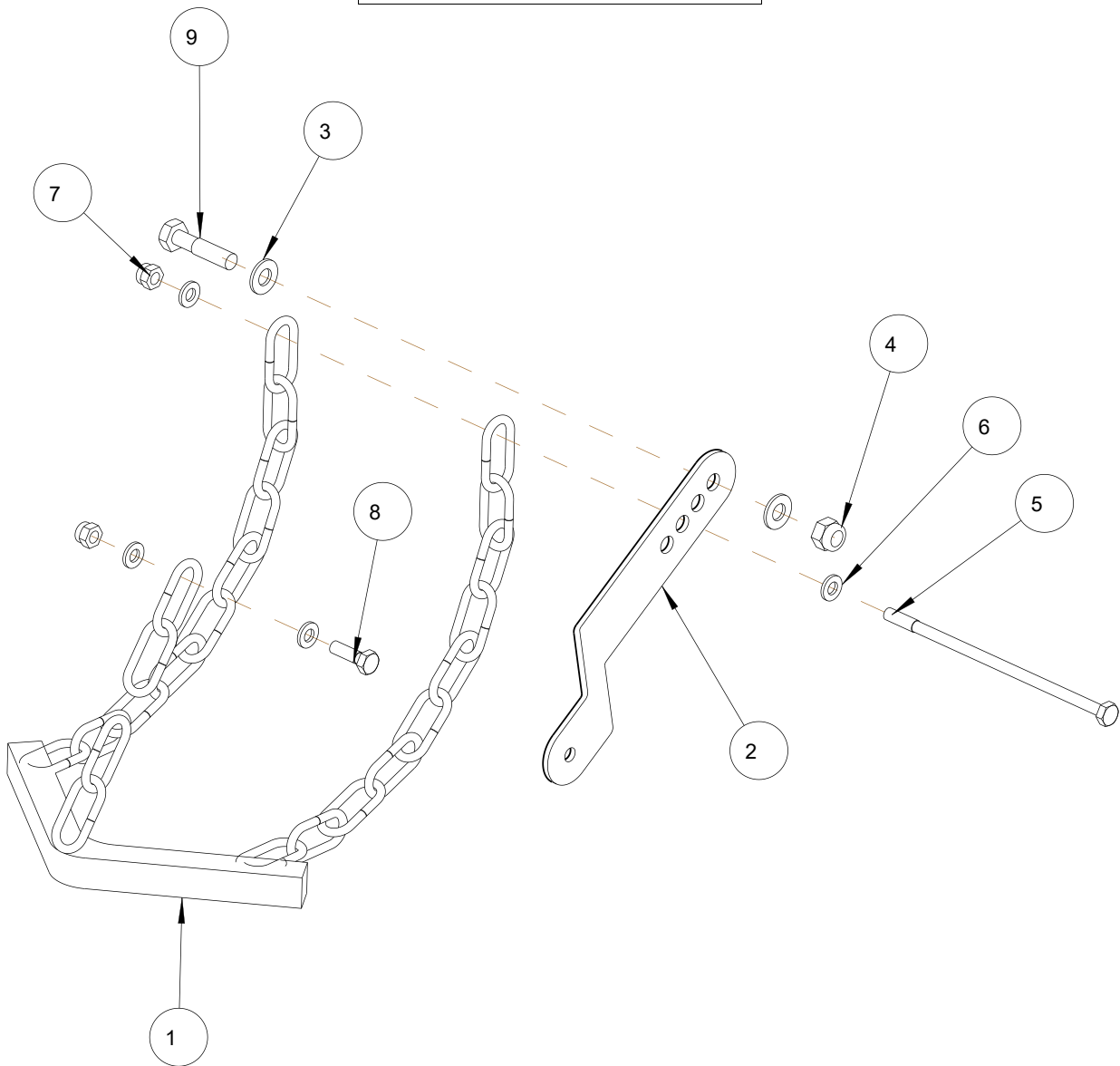
17 RIB HYD DRIVE STACKER



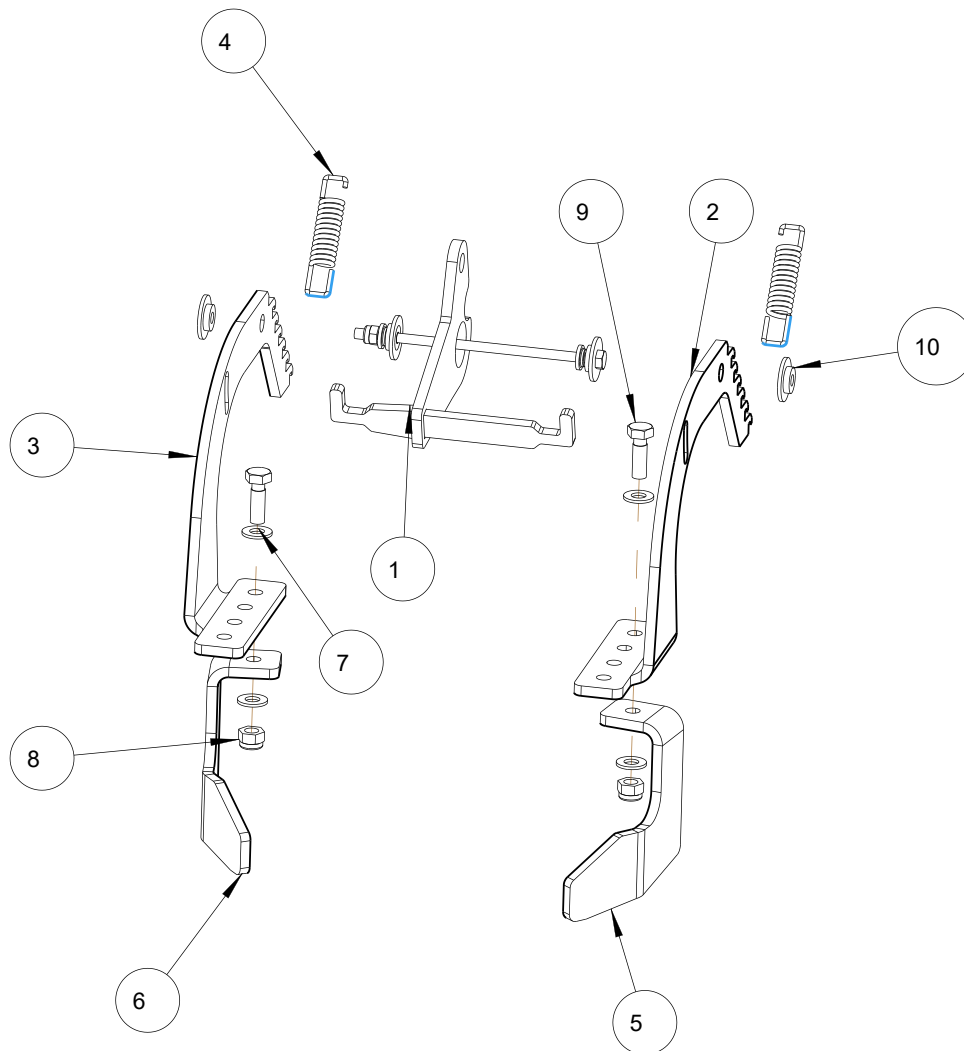
S80-00007

NUM	QTY	PART NUMBER	DESCRIPTION
1	1	SHW7400144	17RIB FAN CASE (STACKER)
2	1	SHW4801008	FAN 405QP
3	1	SHW6902526	VACUUM BAFFLE GUIDE
4	1	SHW7403438	PRESSURE OUTLET W/A
5	1	SHW7703499	TOP BEARING HOUSING ASSY
6	1	SHW7703500	BOTTOM BRG HOUSING
7	1	SHW7403440	PRESSURE ADJUSTER WA
8	1	SHW7403441	BELT TENSIONER BRACKET
9	1	SHW1901161	BALL BEARING
10	1	SHW6900068	HYD IMPELLER SHAFT 17 RIB
11	1	SHW7400145	FAN CASE COVER WA (STACKER)
12	10	SHW2311088	M6 FORM A
13	10	SHW2303091	M6 NYLOC NUT
14	1	SHW7403439	VACUUM BAFFLE PLATE W/A
15	2	SHW2311090	M10 FORM A
16	2	SHW2303009	M12 NUT
17	2	SHW2214057	SPLIT PIN
18	1	SHW2311094	M24 FORM A
19	1	SHW2303079	CASTLE NUT M24
20	1	SHW2311093	M20 FORM A
21	1	SHW2303078	CASTLE NUT M20
22	7	SHW2311089	M8 FORM A
23	4	SHW2309047	Setscrew M8 x 20
24	2	SHW2309060	Setscrew M10 x 16
25	4	SHW2311112	M10 FORM B
26	4	SHW2309061	SETSCREW M10 x 20
27	1	SHW2303092	M8 NYLOC NUT
28	7	SHW2311091	M12 FORM A
29	1	s69-00031	PROFILE, HYD COUPLING COVER
30	1	SHW7703545	PTO 17 RIB PULLEY
31	1	S64-00030	PTO MOTOR ADAPTOR S15229
32	1	S69-00051	PROFILE STACKER HYD DRIVE MTG
33	2	S69-00052	PROFILE HYD DRIVE BUFFER
34	2	S64-00029	M12x37 RUBBER BOBBIN
35	4	SHW2303094	M12 NYLOC NUT
36	2	SHW2306097	BOLT M12 x 45
37	8	SHW2311092	M16 FORM A
38	4	SHW2303095	M16 NYLOC NUT
39	4	SHW2309094	Setscrew M16 x 40
40	1	SHW7400035	AIR MANIFOLD 12 OUTLET

70. PREVIOUS REVISIONS



NUM	QTY	PART NUMBER	DESCRIPTION
1	1	SHW7403740	DRAG COVERER 3 CHAIN
2	1	S69-00020	PRESSING, CHAIN COVERER
3	2	SHW2311089	M8 FORM A
4	1	SHW2303092	M8 NYLOC NUT
5	1	SHW2306561	BOLT M6 x 140
6	4	SHW2311088	M6 FORM A
7	2	SHW2303091	M6 NYLOC NUT
8	1	SHW2209034	SETSCREW M6 x 20
9	1	SHW2306037	BOLT M8 x 35



NUM	QTY	PART NUMBER	DESCRIPTION
1	1	S74-00030	PA ARM COVERER GUIDE
2	1	S72-00096	PROFILE PA ARM COVERER LH
3	1	S72-00097	PROFILE PA ARM COVERER RH
4	2	S27-00003	EXTENSION SPRING 68mm CLOSED
5	1	s72-00098	PROFILE AC LH BOLT ON
6	1	S72-00099	PROFILE AC RH BOLT ON
7	4	SHW2311089	M8 FORM A
8	2	SHW2303092	M8 NYLOC NUT
9	2	SHW2309048	SETSCREW M8 x 25
10	4	S69-00046	BOSS PA ARM COVERER SPACER
11	1	SHW2303091	M6 NYLOC NUT
12	1	SHW2306561	BOLT M6 x 140